

Vinyl Privacy Gates

INSTALLATION INSTRUCTIONS

- English 1



Read all instructions prior to installing product.
Refer to manufacturers safety instructions when operating any tools.

To register your product, please visit: barretteoutdoorliving.com

⚠ WARNING:

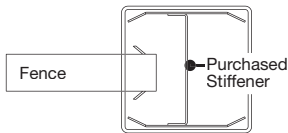
- Improper installation of this product can result in personal injury. Always wear safety goggles when cutting, drilling and assembling the product.
- Incorrect installation may cause harm to the gate or individual.
- Not pool code approved.
- Do not allow children to play with the gate.

NOTICE:

- DO NOT attempt to assemble the kit if parts are missing or damaged.
- DO NOT return the product to the store, for assistance or replacement parts call: 1-800-336-2383.

BEFORE YOU BEGIN:

Vinyl gate posts require an internal support system for weight-bearing purposes therefore a post stiffener is required. Post stiffener needs to be purchased separately.



Top View of Routed Post

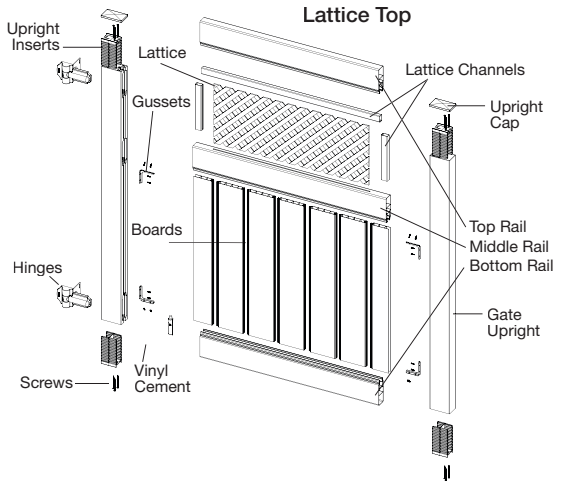
TOOLS NEEDED:

Phillips Screwdriver
Safety Glasses
Line Level
Tape Measure
Drill
#2 Square Drive Bit
Gate Hardware (Latch)

NOTE: Components shown are for visual reference only and may not depict the exact style of your product. Please see product label for correct number of pieces.

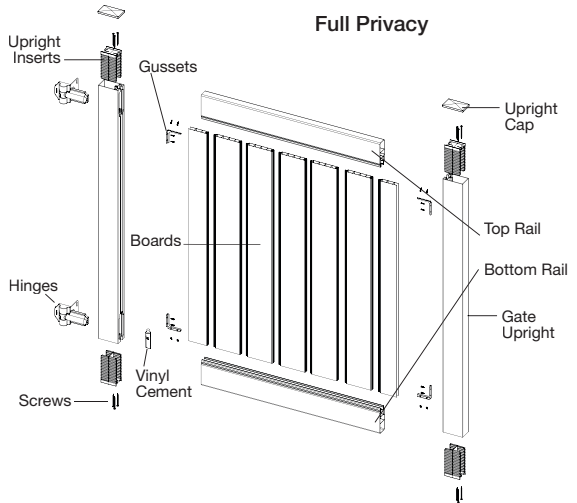
**Lattice Top Gate
Component list:**

Description
Lattice
Boards
Top Rail
Middle Rail
Bottom Rail
Gate Uprights
Upright Inserts
Upright Caps
Screws
Lattice Channels
Vinyl Cement
Hinges
Gusset Hardware Kit



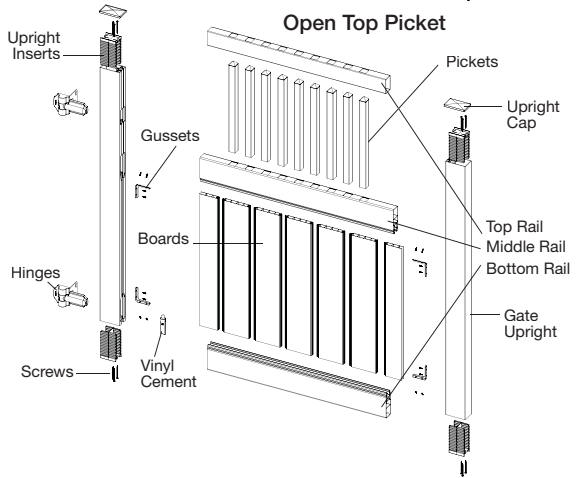
Full Privacy Gate Component list:

Description
Boards
Top Rail
Bottom Rail
Gate Uprights
Upright Inserts
Upright Caps
Screws
Vinyl Cement
Hinges
Gusset Hardware Kit



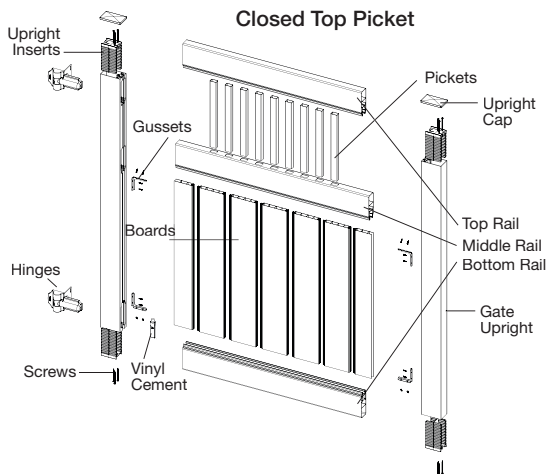
Open Top Picket Gate Component list:

Description
Pickets
Boards
Top Rail
Middle Rail
Bottom Rail
Gate Uprights
Upright Inserts
Upright Caps
Screws
Vinyl Cement
Hinges
Gusset Hardware Kit



Closed Top Picket Gate Component list:

Description
Pickets
Boards
Top Rail
Middle Rail
Bottom Rail
Gate Uprights
Upright Inserts
Upright Caps
Screws
Vinyl Cement
Hinges
Gusset Hardware Kit



1.

In the gate kit there will be two boards that are $4\frac{1}{8}$ " wide, make sure these boards are your end boards.

2.

IMPORTANT:

Upright insert is directional, make sure insert is oriented correctly for each rail size. When inserting rails, only slide rail halfway into gate upright to allow for insert spacing (Fig. 1).

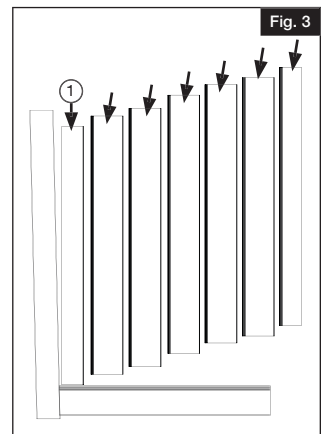
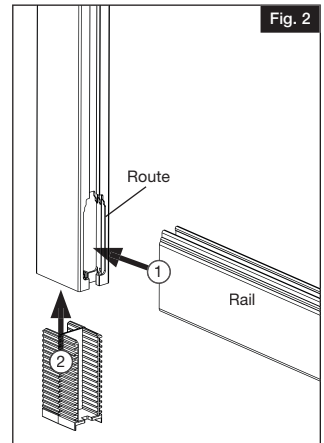
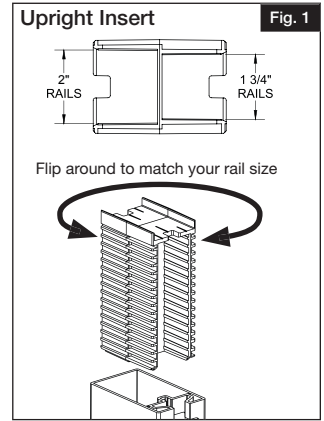
Insert bottom rails into upright routes (Fig. 2).

3.

Install upright insert into bottom of gate upright (Fig. 2). Make sure rail is flush to edge of upright insert.

4.

Lock one $4\frac{1}{8}$ " board into upright and bottom rail, then continue working from left to right (Fig. 3).



5.

- a.) For full privacy gates, slide top rail over all boards and insert top rail into upright route on same side as bottom rail (Fig. 4).
- b.) For lattice top, open picket top and closed picket top gates, slide middle rail over all boards and insert middle rail into upright route on same side as bottom rail (Fig. 5).

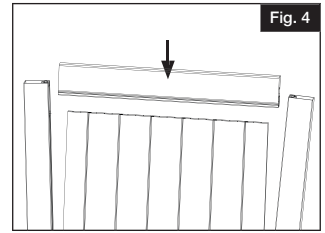


Fig. 4

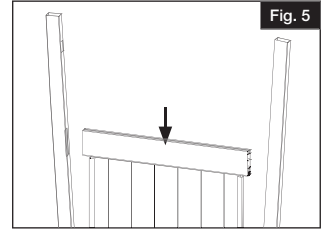


Fig. 5

6.

- a.) For lattice top gates, insert lattice panel into the middle rail and place top rail on top of lattice panel. Insert top rail into upright route on same side as bottom and middle rails (Fig. 6)
- b.) For open picket top gates, insert top rail into upright route on same side as bottom and middle rails. Insert pickets through top rail into middle rail (Fig. 7).

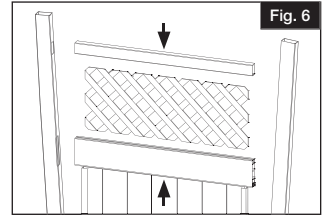


Fig. 6

- c.) For closed picket top gates, insert pickets into middle rail. Starting on left side and working right, place top rail onto all pickets. Insert top rail into upright on same side as bottom and middle rails (Fig 8).

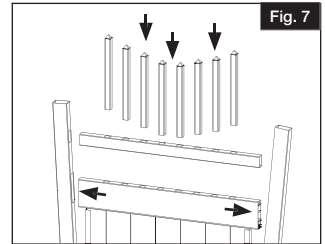


Fig. 7

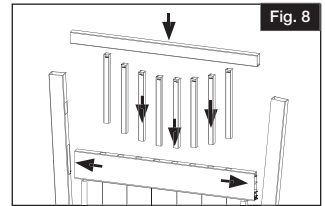


Fig. 8

7.

Simultaneously install upright insert into top of gate upright and install top rail into route. Make sure rail is flush to edge of upright insert (Fig. 9).

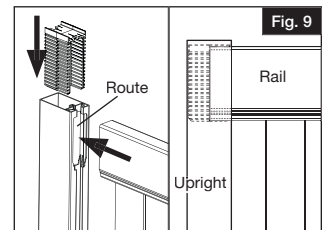
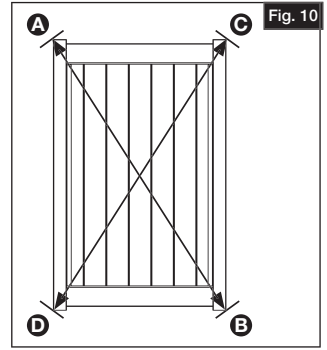


Fig. 9

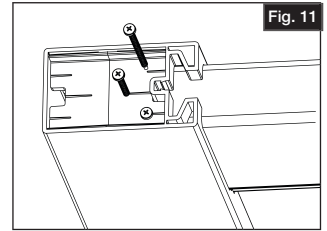
8.

Measure diagonally from top of left corner rail (A) to bottom of right corner rail (B) and note the length. Then, measure diagonally from top of right corner rail (C) to bottom of left corner rail (D). Note the length. Make sure both measurements are the same before installing screws into uprights (Fig. 10).



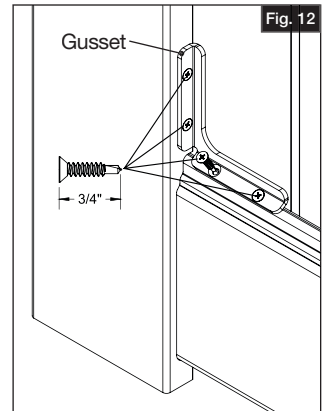
9.

Install three 3" screws through each upright insert and into the rail using the molded grooves on the insert as a guide (Fig. 11).



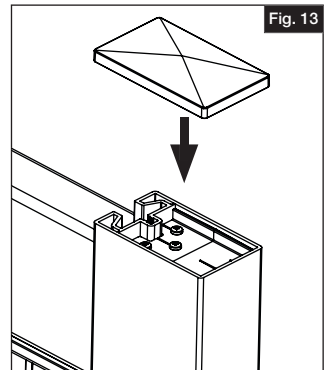
10.

Install gate gussets in four corners of gate with $\frac{3}{4}$ " screws (Fig. 12).



11.

Install upright caps onto the top of each upright with provided vinyl cement (Fig. 13).



12.

Install hinges according to hardware instructions.

Transferable Limited Lifetime Warranty

What is covered: Barrette Outdoor Living warrants vinyl and aluminum products to include; vinyl and aluminum fence, vinyl and aluminum railing and plastic lattice against defects or workmanship for as long as you own your home. Barrette Outdoor Living will at its option replace the product in question with new product of the same or equivalent value at no charge. Barrette Outdoor Living warrants these products against peeling, flaking, splintering, corrosion, rusting or abnormal discoloration under normal use. This warranty extends to the original purchaser or transferee as specified herein on the products noted above. Separate and distinct warranties for hardware and other products are not covered under this warranty.

What this warranty does not cover: This limited warranty does not cover damage resulting from accident, unreasonable use, neglect, alteration, improper service, improper installation, acts of God or any other causes not arising out of defects in materials or workmanship. Additionally, this warranty does not cover costs of installation, removal, reinstallation or surface mold and mildew created by excessive environmental conditions. Any service or repair provided outside the scope of this limited warranty shall be at Barrette Outdoor Living's rate and terms then in effect.

What do we do to correct the problems? Should your Barrette Outdoor Living product prove defective under warranty, reference the website or call the phone number listed below. Your problem will be assigned a tracking number and an authorized Barrette Outdoor Living representative will contact you to arrange a convenient time to schedule an onsite inspection, or request pictures, if need be. If after inspection product is deemed to be manufacturer defect we will make arrangements to rectify the issue. You must have proof of your purchase in order for the problem to be corrected.

Transferee Coverage: Warranty coverage will be extended to one transferee on the above listed products with the following limitations. Transferee must obtain an original or copy of the initial sales receipt (with proof of date) from the previous owner(s). Additionally, if fence is purchased from a builder or installer, documentation must be supplied that names the product installed on property and date of transfer.

Registration: To activate this warranty, the online registration card must be completed and returned to Barrette Outdoor Living within 30 days of installation.

Additionally, this Warranty does not cover damage associated with surface mold and mildew resulting from environmental conditions including air pollution, or any other causes not arising out of defects in materials or workmanship by Barrette Outdoor Living.

This Warranty does not cover costs of removal or disposal of product, or reinstallation of replacement product. Any service provided outside the scope of this limited Warranty shall be at Barrette Outdoor Living's standard rate and terms then in effect.

Barrette Outdoor Living reserves the right to discontinue or modify any of its products, including the color of its products, without notice to the homeowner/consumer, and Barrette Outdoor Living does not warrant that any replacement material will match or be identical to the original product as replacement products may vary in color or gloss in comparison to the original product as a result of normal weathering. If Barrette Outdoor Living replaces any material under this Warranty, it may substitute products designated by Barrette Outdoor Living to be of comparable quality or price range in the event the product initially installed has been discontinued or modified.

THIS WARRANTY IS IN LIEU OF ALL CONDITIONS OR WARRANTIES, EXPRESS OR IMPLIED, INCLUDING BUT NOT LIMITED TO ANY IMPLIED CONDITIONS OR WARRANTIES OR MERCHANTABILITY OR FITNESS FOR A PARTICULAR PURPOSE ON THE PART OF BARRETTE OR ITS LICENSORS, SOME STATES DO NOT ALLOW THE EXCLUSIONS OF IMPLIED WARRANTIES OR LIMITATIONS OF HOW LONG AN IMPLIED WARRANTY LASTS, SO THE ABOVE LIMITATIONS MAY NOT APPLY TO YOU. IF THE PRODUCT IS DEFECTIVE PER THE ABOVE COVERAGES, YOUR SOLE AND EXCLUSIVE REMEDY SHALL BE REPAIR OR REPLACEMENT AS PROVIDED ABOVE. BARRETTE AND ITS LICENSORS SHALL NOT BE LIABLE FOR ANY DAMAGES, LOSS OF USE, LOSS OF PROFITS OR INTERRUPTION OF BUSINESS WHETHER SUCH ALLEGED DAMAGES ARE BASED IN WARRANTY, TORT, CONTRACT, OR INDEMNITY. SOME STATES DO NOT ALLOW THE EXCLUSION OF LIMITATIONS OF INCIDENTAL OR CONSEQUENTIAL DAMAGES, SO THE ABOVE LIMITATIONS MAY NOT APPLY TO YOU. THIS WARRANTY IS VALID ONLY IN THE UNITED STATES AND CANADA.

For any specific questions about the Barrette Outdoor Living Warranty please contact Barrette Outdoor Living by visiting our website www.barretteoutdoorliving.com, emailing or calling 1-800-336-2383.

To begin your warranty coverage and register your product visit: www.barretteoutdoorliving.com. Retain manual and your dated sales slip for future reference or warranty claims.