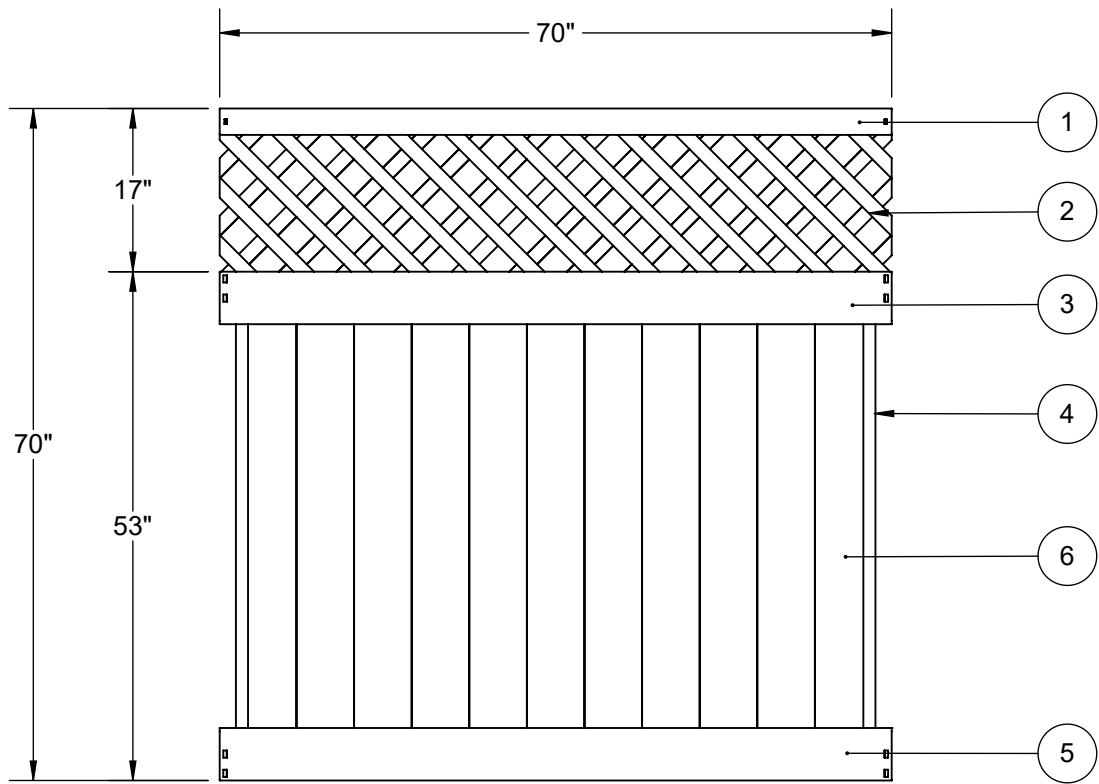


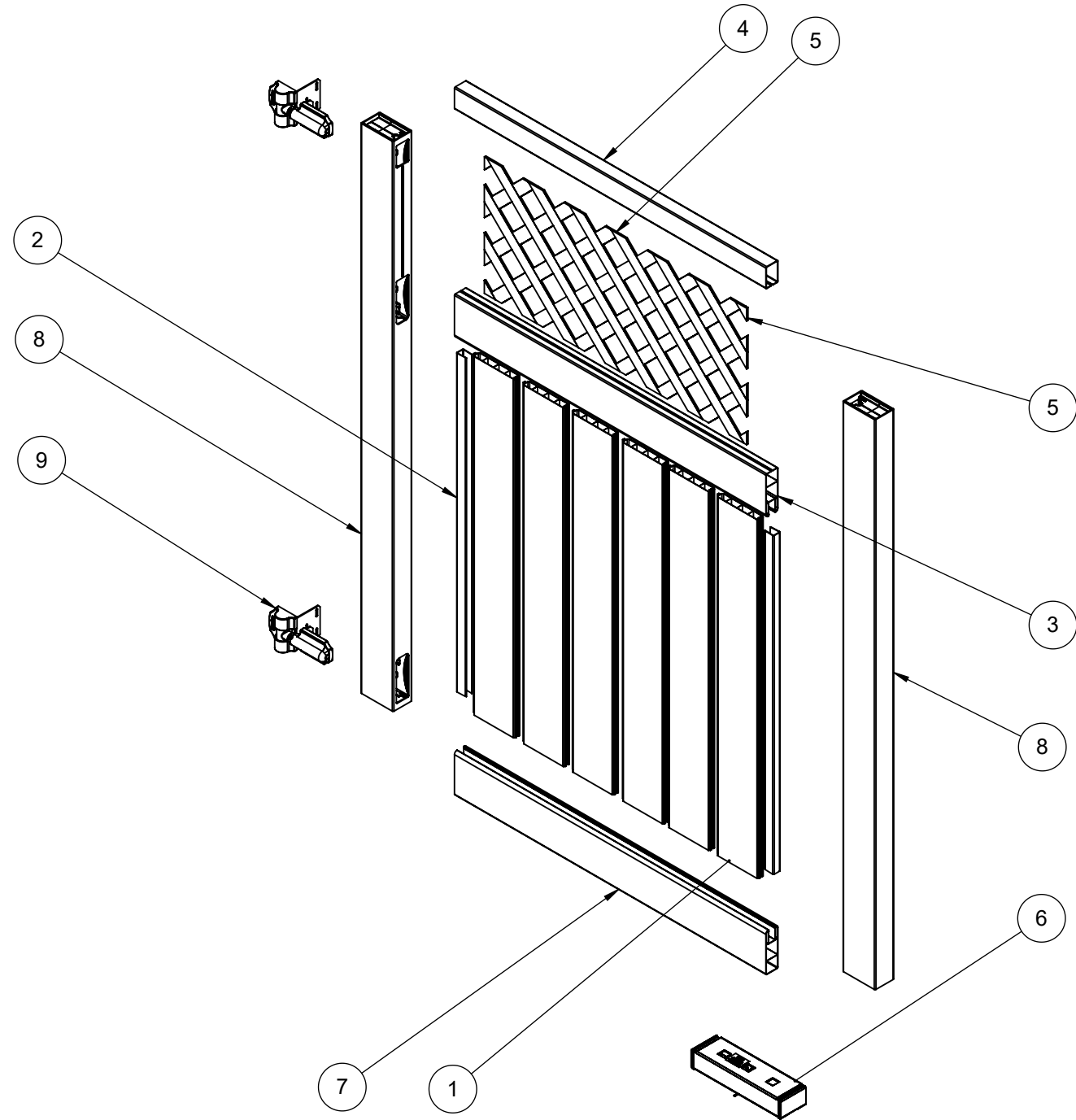
ITEM NO.	DESCRIPTION	QTY
1	1.75X2.75X70 W/.075 0.25 SLIT WHITE	1
2	17X70 CLASSIC DIAMOND LATTICE - WHITE	1
3	1.75X5.47X70 DECO EXTR WHITE	1
4	1.02X1.379X42.5 EXTR U-CHANNEL WHITE	2
5	1.75X5.47X70 DECO EXTR WHITE	1
6	.875X6X45 W/.035W EXTR T&G	11
7	GENERIC INSTR CARD VF/VG - PRO/SO 2020	1



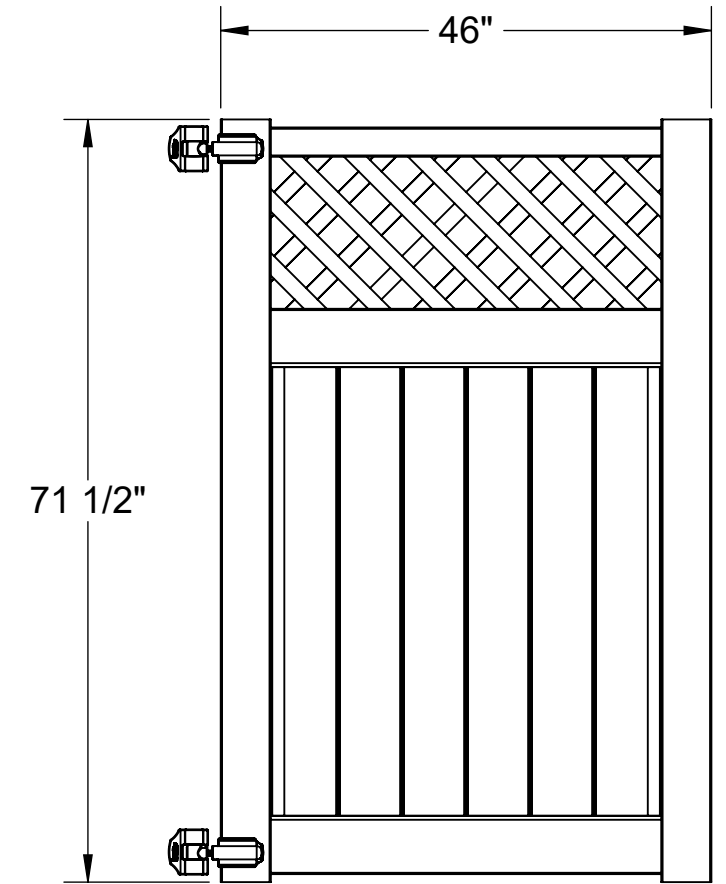
6x6 1.75x5.5 08703TG35LAT17CD VFP
 WH (AE)

THE INFORMATION CONTAINED IN THIS DRAWING IS PROTECTED BY COPYRIGHT AND PATENT LAWS OF THE UNITED STATES AND OTHER COUNTRIES. ANY REPRODUCTION IN PART OR AS A WHOLE WITHOUT WRITTEN PERMISSION IS PROHIBITED.

ITEM NO.	DESCRIPTION	QTY
1	.875X6X45 W/.035W EXTR T&G	6
2	1.02X1.379X42.5 EXTR U-CHANNEL WHITE	2
3	1.75X5.47X45.125 SGL RTE .25 SLIT WHITE	1
4	1.75X2.75X45.125 .025 SLIT WHITE	1
5	~61113489~17.125X38 CLASC DIAMOND LAT	1
6	2.25X3.875X13.25 PRIV GATE HWBOX-WHITE	1
7	1.75X5.47X45.125 W/.055W DECO EXTR WHT	1
8	2.75X4.70X71.5 XLT 1.75X5.5 RTE WH W/UPI	2
9	HEAVY DUTY HINGE PAIR BLACK	1

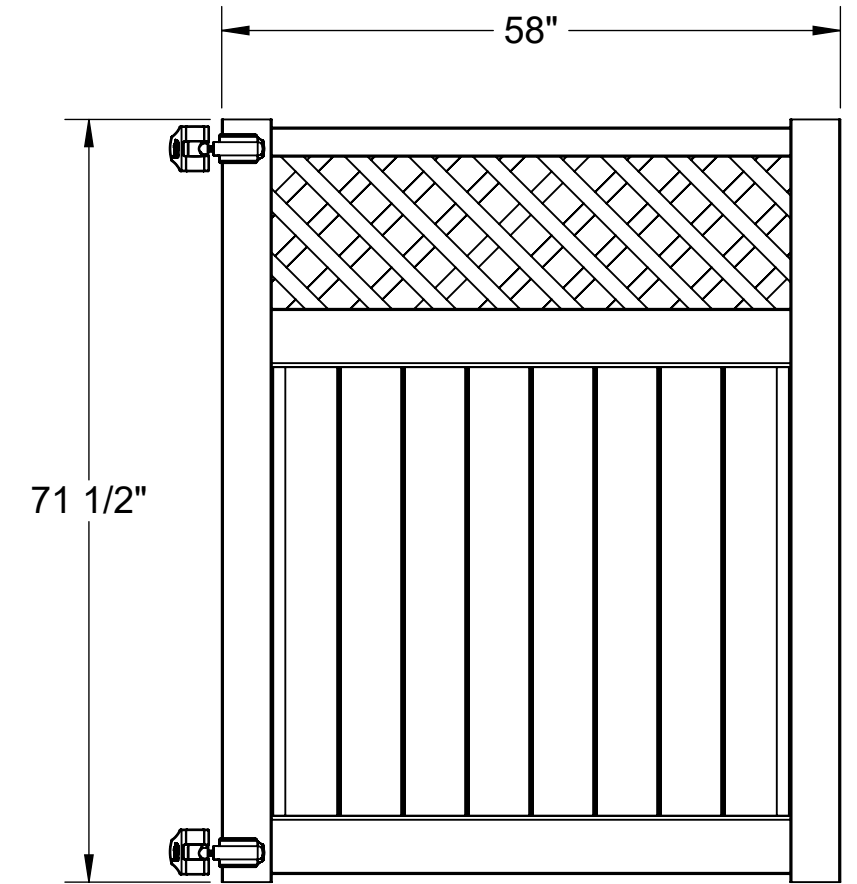
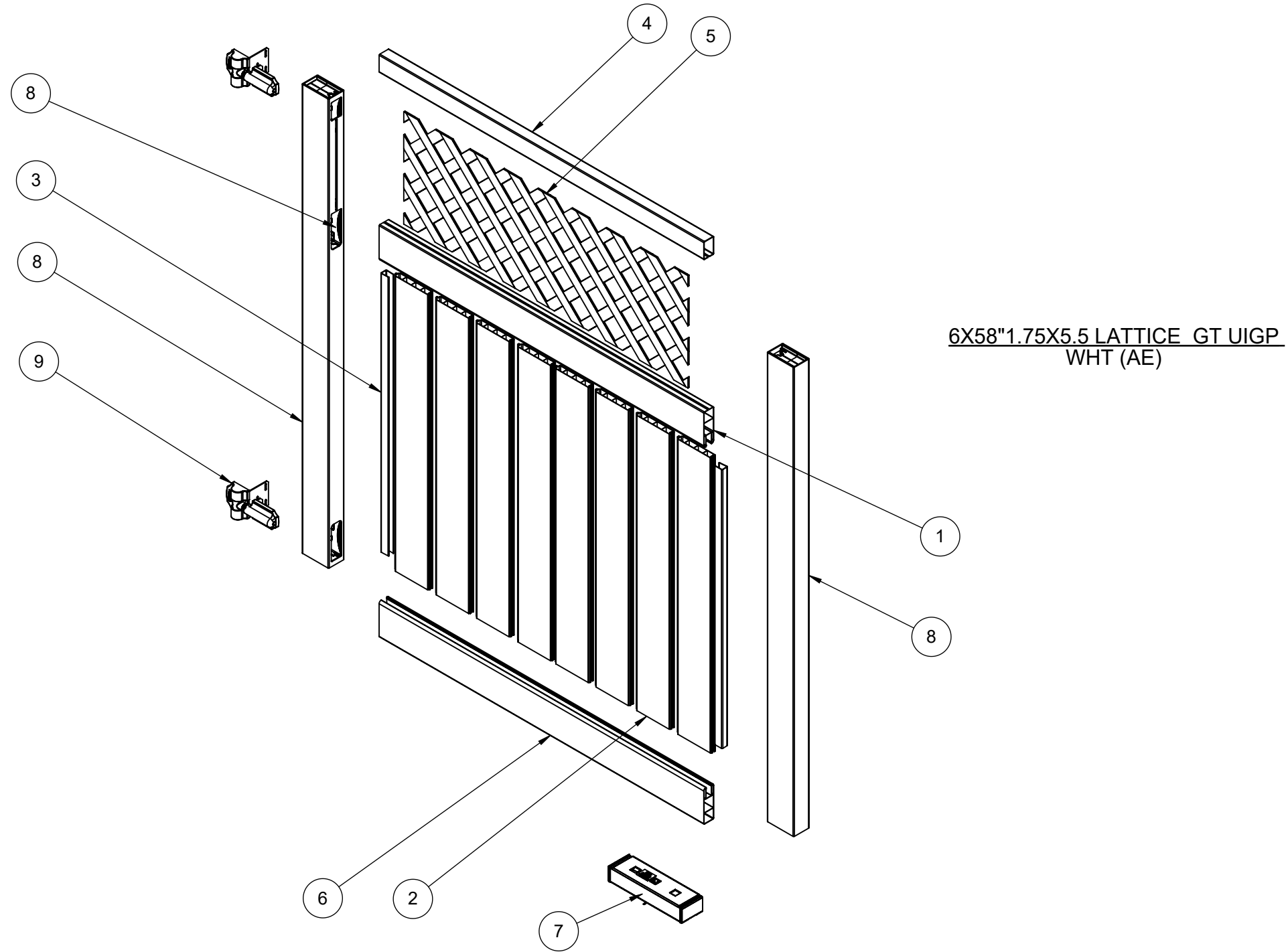


6X46" 1.75X5.5 LATTICE GT UIGP
WHT (AE)



THE INFORMATION CONTAINED IN THIS DRAWING IS PROTECTED BY COPYRIGHT AND PATENT LAWS OF THE UNITED STATES AND OTHER COUNTRIES. ANY REPRODUCTION IN PART OR AS A WHOLE WITHOUT WRITTEN PERMISSION IS PROHIBITED.

ITEM NO.	DESCRIPTION	QTY.
1	1.75X5.47X57.125 SGL RTE .25 SLIT WHITE	1
2	.875X6X45 W/.035W EXTR T&G	8
3	1.02X1.379X42.5 EXTR U-CHANNEL WHITE	2
4	1.75X2.75X57.125 .025 SLIT WHITE	1
5	~61113489~17.125X50 CLASC DIAMOND LAT	1
6	1.75X5.47X57.125 W/.055W DECO EXTR WHT	1
7	2.25X3.875X13.25 PRIV GATE HWBOX-WHITE	1
8	2.75X4.70X71.5 XLT 1.75X5.5 RTE WH W/UPI	2
9	HEAVY DUTY HINGE PAIR BLACK	1



THE INFORMATION CONTAINED IN THIS DRAWING IS PROTECTED BY COPYRIGHT AND PATENT LAWS OF THE UNITED STATES AND OTHER COUNTRIES. ANY REPRODUCTION IN PART OR AS A WHOLE WITHOUT WRITTEN PERMISSION IS PROHIBITED.