

Bufftech®

SELECT DESIRED SIZE:

4' HEIGHT X 8' WIDE

SELECT DESIRED COLOR:

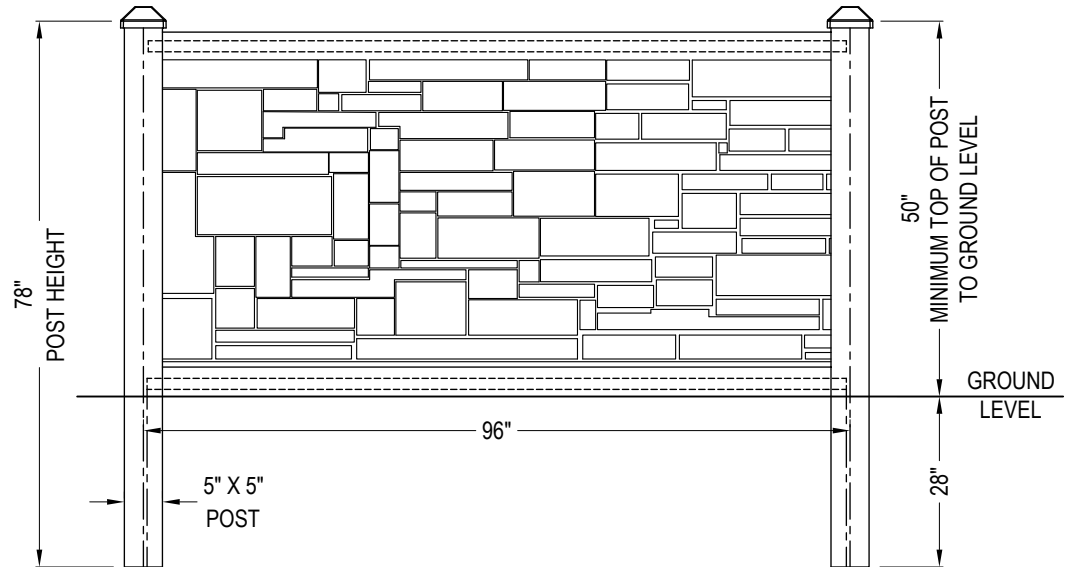
BEIGE GRANITE

BROWN GRANITE

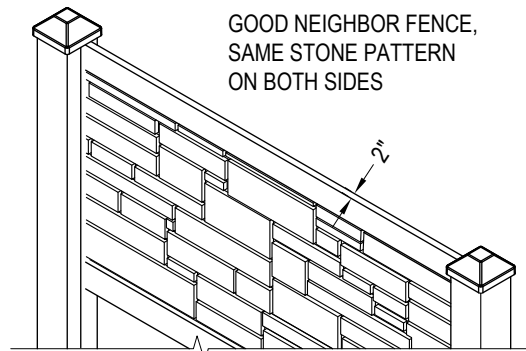
DARK BROWN GRANITE

GRAY GRANITE

DARK GRAY GRANITE



ELEVATION VIEW



ISOMETRIC VIEW

SPECIFICATIONS

FINISH: MADE WITH LINEAR LOW DENSITY POLYETHYLENE PLASTIC (LLDPE)

ACTUAL PANEL DIMENSIONS: 48" H X 94.25" W

PANEL WEIGHT: 60 LBS

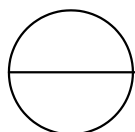
TOLERANCES: ± .5"

MANUFACTURER NOTES:

1. US PATENTS 7,478,797 / 7,635,114 FOREIGN PATENTS PENDING.

NOTES:

1. INSTALLATION TO BE COMPLETED IN ACCORDANCE WITH MANUFACTURER'S SPECIFICATIONS.
2. DO NOT SCALE DRAWING.
3. THIS DRAWING IS INTENDED FOR USE BY ARCHITECTS, ENGINEERS, CONTRACTORS, CONSULTANTS AND DESIGN PROFESSIONALS FOR PLANNING PURPOSES ONLY. THIS DRAWING MAY NOT BE USED FOR CONSTRUCTION.
4. ALL INFORMATION CONTAINED HEREIN WAS CURRENT AT THE TIME OF DEVELOPMENT BUT MUST BE REVIEWED AND APPROVED BY THE PRODUCT MANUFACTURER TO BE CONSIDERED ACCURATE.
5. CONTRACTOR'S NOTE: FOR PRODUCT AND COMPANY INFORMATION VISIT www.CADdetails.com/info AND ENTER REFERENCE NUMBER 035-101.



PRIVACY FENCING

(BUFFTECH) ALLEGHENY FENCE PANEL - 4' H X 8' W

Bufftech®

SELECT DESIRED SIZE:

4' HEIGHT X 4' WIDE

SELECT DESIRED COLOR:

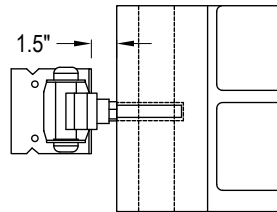
BEIGE GRANITE

BROWN GRANITE

DARK BROWN GRANITE

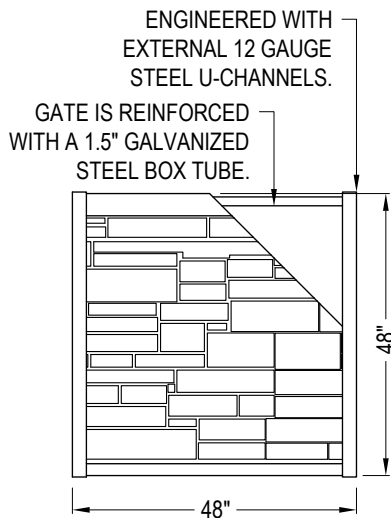
GRAY GRANITE

DARK GRAY GRANITE

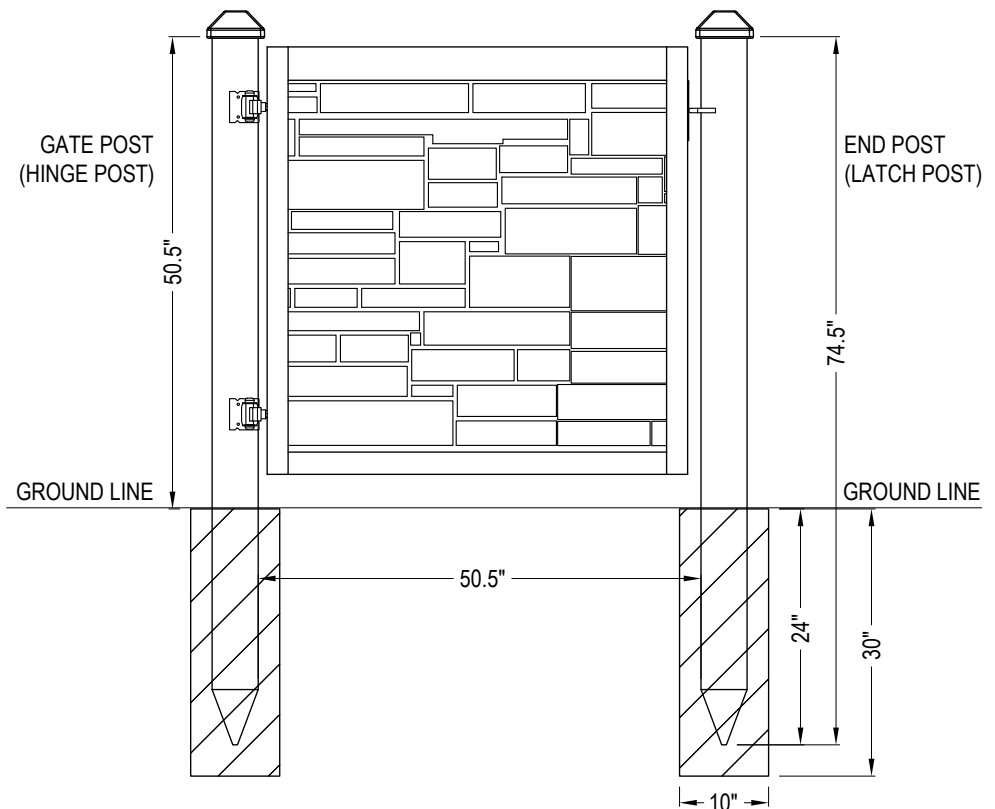


GATE HINGE THREADS INTO THE UPPER AND LOWER INSERTS IN THE GATE METAL FRAME LEAVING ABOUT 1.5" FROM THE EDGE OF THE GATE TO THE GATE POST

HINGE DETAIL



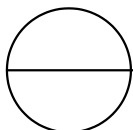
ACTUAL GATE DIMENSIONS



ELEVATION VIEW

NOTES:

1. INSTALLATION TO BE COMPLETED IN ACCORDANCE WITH MANUFACTURER'S SPECIFICATIONS.
2. DO NOT SCALE DRAWING.
3. THIS DRAWING IS INTENDED FOR USE BY ARCHITECTS, ENGINEERS, CONTRACTORS, CONSULTANTS AND DESIGN PROFESSIONALS FOR PLANNING PURPOSES ONLY. THIS DRAWING MAY NOT BE USED FOR CONSTRUCTION.
4. ALL INFORMATION CONTAINED HEREIN WAS CURRENT AT THE TIME OF DEVELOPMENT BUT MUST BE REVIEWED AND APPROVED BY THE PRODUCT MANUFACTURER TO BE CONSIDERED ACCURATE.
5. CONTRACTOR'S NOTE: FOR PRODUCT AND COMPANY INFORMATION VISIT www.CADdetails.com/info AND ENTER REFERENCE NUMBER 035-109.



PRIVACY GATES

(BUFFTECH) ALLEGHENY GATE - 4' H X 4' W

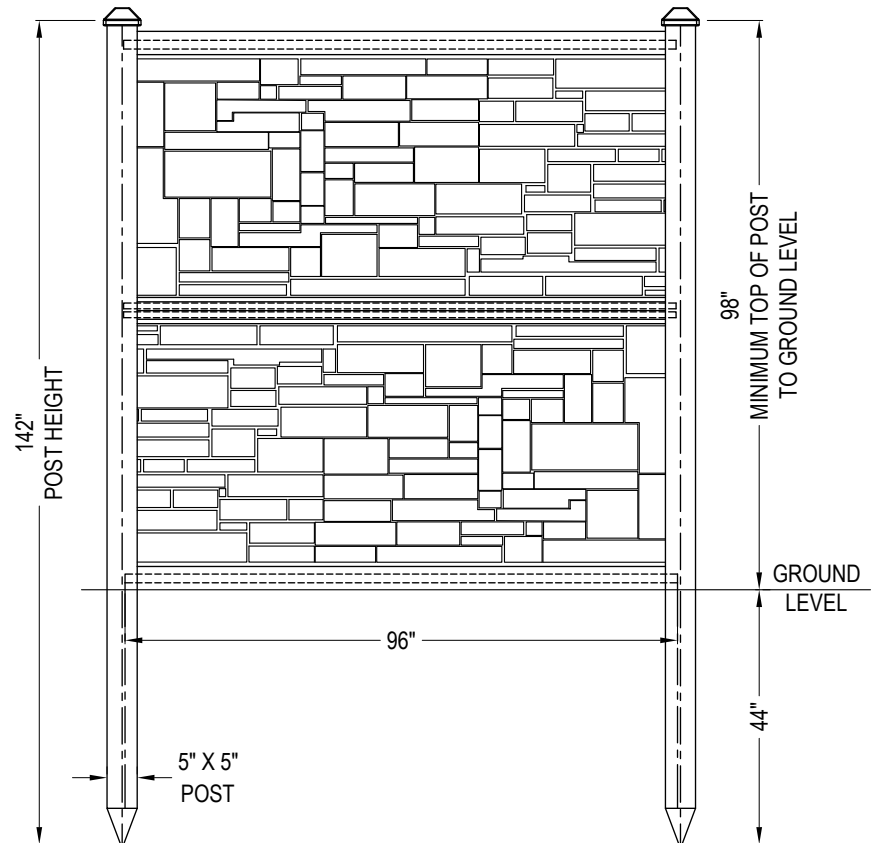
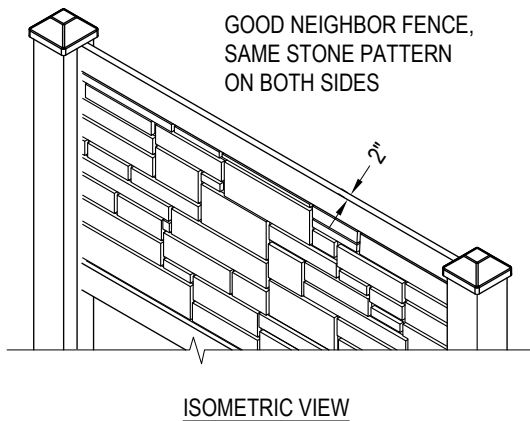
Bufftech®

SELECT DESIRED SIZE:

8' HEIGHT X 8' WIDE (TWO STACKED PANELS)

SELECT DESIRED COLOR:

- BEIGE GRANITE
- BROWN GRANITE
- DARK BROWN GRANITE
- GRAY GRANITE
- DARK GRAY GRANITE



SPECIFICATIONS

FINISH: MADE WITH LINEAR LOW DENSITY POLYETHYLENE PLASTIC (LLDPE)

ACTUAL PANEL DIMENSIONS: 48" H X 94.25" W

PANEL WEIGHT: 60 LBS

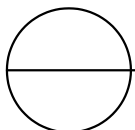
TOLERANCES: ± .5"

MANUFACTURER NOTES:

1. US PATENTS 7,478,797 / 7,635,114 FOREIGN PATENTS PENDING.

NOTES:

1. INSTALLATION TO BE COMPLETED IN ACCORDANCE WITH MANUFACTURER'S SPECIFICATIONS.
2. DO NOT SCALE DRAWING.
3. THIS DRAWING IS INTENDED FOR USE BY ARCHITECTS, ENGINEERS, CONTRACTORS, CONSULTANTS AND DESIGN PROFESSIONALS FOR PLANNING PURPOSES ONLY. THIS DRAWING MAY NOT BE USED FOR CONSTRUCTION.
4. ALL INFORMATION CONTAINED HEREIN WAS CURRENT AT THE TIME OF DEVELOPMENT BUT MUST BE REVIEWED AND APPROVED BY THE PRODUCT MANUFACTURER TO BE CONSIDERED ACCURATE.
5. CONTRACTOR'S NOTE: FOR PRODUCT AND COMPANY INFORMATION VISIT www.CADdetails.com/info AND ENTER REFERENCE NUMBER 035-103.



PRIVACY FENCING

(BUFFTECH) ALLEGHENY FENCE PANEL - 8' H X 8' W (TWO STACKED PANELS)

Bufftech®

SELECT DESIRED SIZE:

8' HEIGHT X 4' WIDE

SELECT DESIRED COLOR:

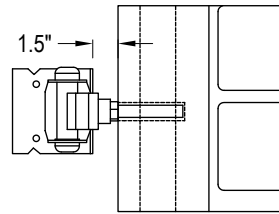
BEIGE GRANITE

BROWN GRANITE

DARK BROWN GRANITE

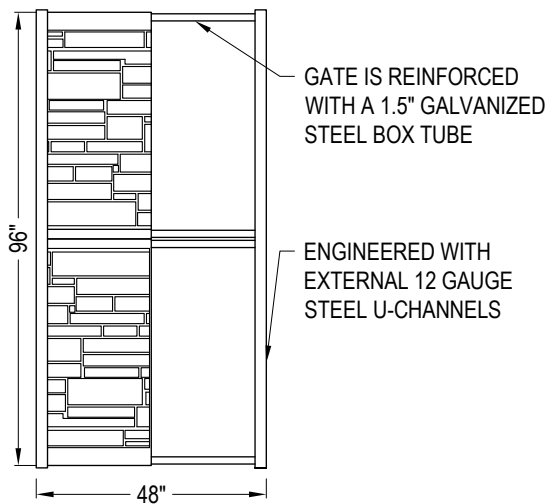
GRAY GRANITE

DARK GRAY GRANITE



GATE HINGE THREADS INTO THE UPPER AND LOWER INSERTS IN THE GATE METAL FRAME LEAVING ABOUT 1.5" FROM THE EDGE OF THE GATE TO THE GATE POST

HINGE DETAIL



ACTUAL GATE DIMENSIONS

SPECIFICATIONS

FINISH: MADE WITH LINEAR LOW DENSITY POLYETHYLENE PLASTIC (LLDPE)

PANEL WEIGHT: 110 LBS

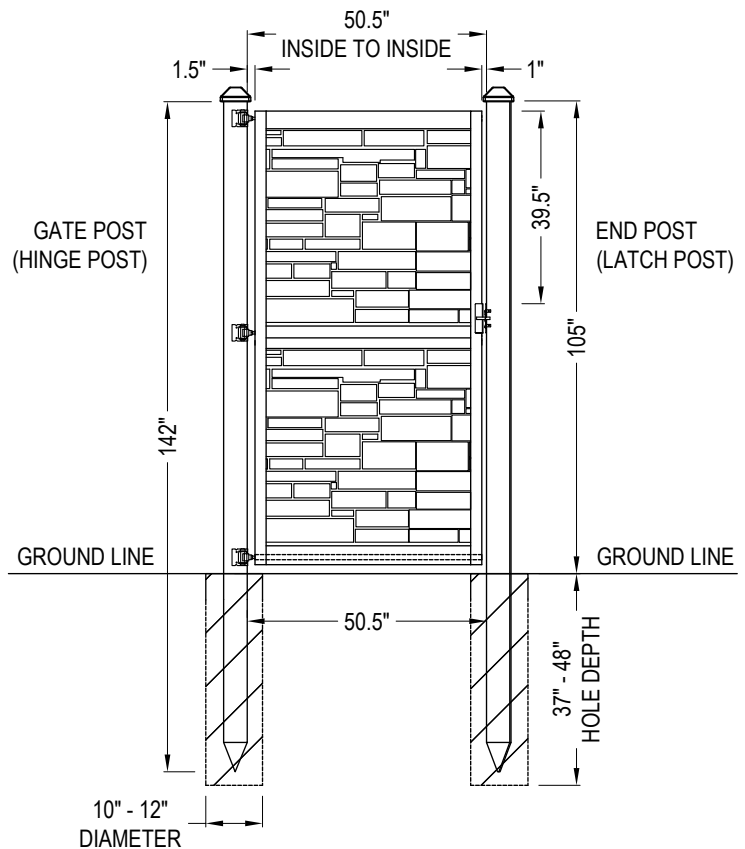
TOLERANCES: ± .5"

MANUFACTURER NOTES:

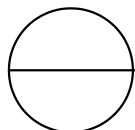
1. US PATENTS 7,478,797 / 7,635,114 FOREIGN PATENTS PENDING.

NOTES:

1. INSTALLATION TO BE COMPLETED IN ACCORDANCE WITH MANUFACTURER'S SPECIFICATIONS.
2. DO NOT SCALE DRAWING.
3. THIS DRAWING IS INTENDED FOR USE BY ARCHITECTS, ENGINEERS, CONTRACTORS, CONSULTANTS AND DESIGN PROFESSIONALS FOR PLANNING PURPOSES ONLY. THIS DRAWING MAY NOT BE USED FOR CONSTRUCTION.
4. ALL INFORMATION CONTAINED HEREIN WAS CURRENT AT THE TIME OF DEVELOPMENT BUT MUST BE REVIEWED AND APPROVED BY THE PRODUCT MANUFACTURER TO BE CONSIDERED ACCURATE.
5. CONTRACTOR'S NOTE: FOR PRODUCT AND COMPANY INFORMATION VISIT www.CADdetails.com/info AND ENTER REFERENCE NUMBER 035-108.



ELEVATION VIEW



PRIVACY GATES

(BUFFTECH) ALLEGHENY GATE - 8' H X 4' W

Bufftech®

SELECT DESIRED SIZE:

6' HEIGHT X 6' WIDE

SELECT DESIRED COLOR:

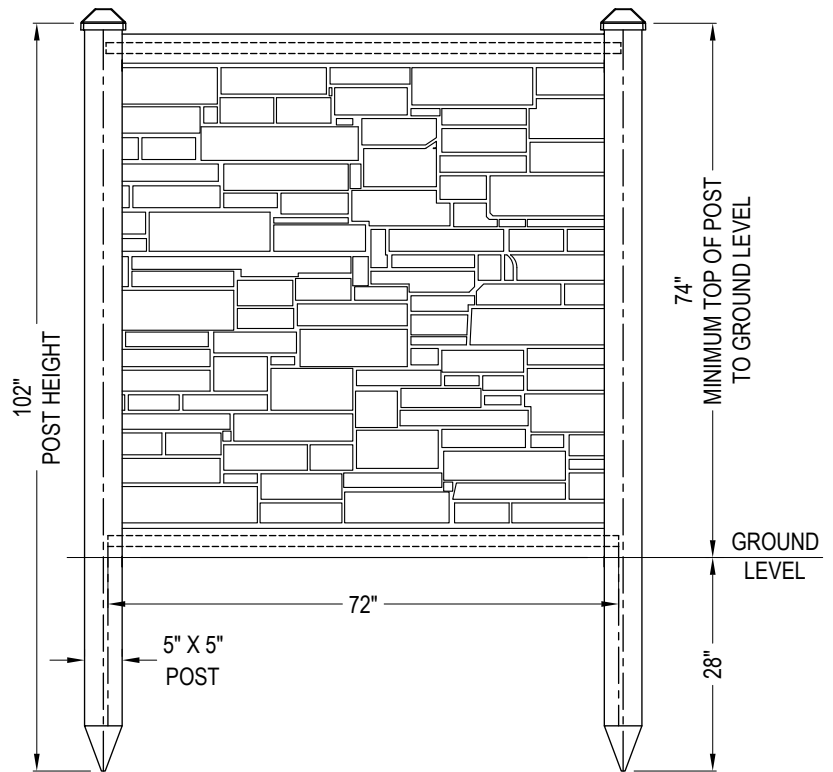
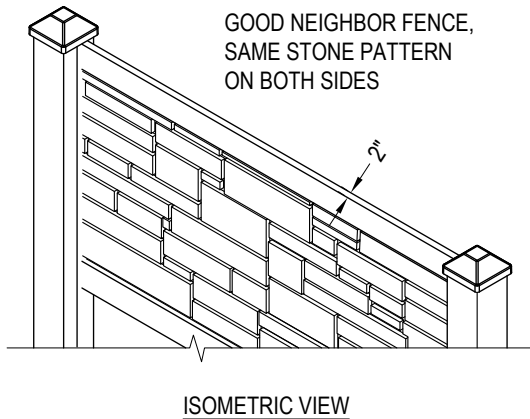
BEIGE GRANITE

BROWN GRANITE

DARK BROWN GRANITE

GRAY GRANITE

DARK GRAY GRANITE



SPECIFICATIONS

FINISH: MADE WITH LINEAR LOW DENSITY POLYETHYLENE PLASTIC (LLDPE)

ACTUAL PANEL DIMENSIONS: 72" H X 69.75" W

PANEL WEIGHT: 56 LBS

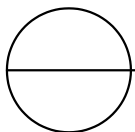
TOLERANCES: ± .5"

MANUFACTURER NOTES:

1. US PATENTS 7,478,797 / 7,635,114 FOREIGN PATENTS PENDING.

NOTES:

1. INSTALLATION TO BE COMPLETED IN ACCORDANCE WITH MANUFACTURER'S SPECIFICATIONS.
2. DO NOT SCALE DRAWING.
3. THIS DRAWING IS INTENDED FOR USE BY ARCHITECTS, ENGINEERS, CONTRACTORS, CONSULTANTS AND DESIGN PROFESSIONALS FOR PLANNING PURPOSES ONLY. THIS DRAWING MAY NOT BE USED FOR CONSTRUCTION.
4. ALL INFORMATION CONTAINED HEREIN WAS CURRENT AT THE TIME OF DEVELOPMENT BUT MUST BE REVIEWED AND APPROVED BY THE PRODUCT MANUFACTURER TO BE CONSIDERED ACCURATE.
5. CONTRACTOR'S NOTE: FOR PRODUCT AND COMPANY INFORMATION VISIT www.CADdetails.com/info AND ENTER REFERENCE NUMBER 035-102.



PRIVACY FENCING

(BUFFTECH) ALLEGHENY FENCE PANEL - 6' H X 6' W

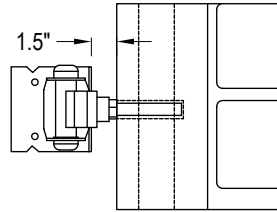
Bufftech®

SELECT DESIRED SIZE:

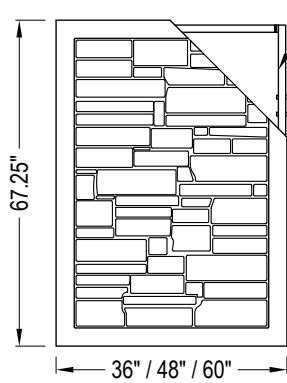
- 6' HEIGHT X 3' WIDE
- 6' HEIGHT X 4' WIDE
- 6' HEIGHT X 5' WIDE

SELECT DESIRED COLOR:

- BEIGE GRANITE
- BROWN GRANITE
- GRAY GRANITE
- DARK GRAY GRANITE

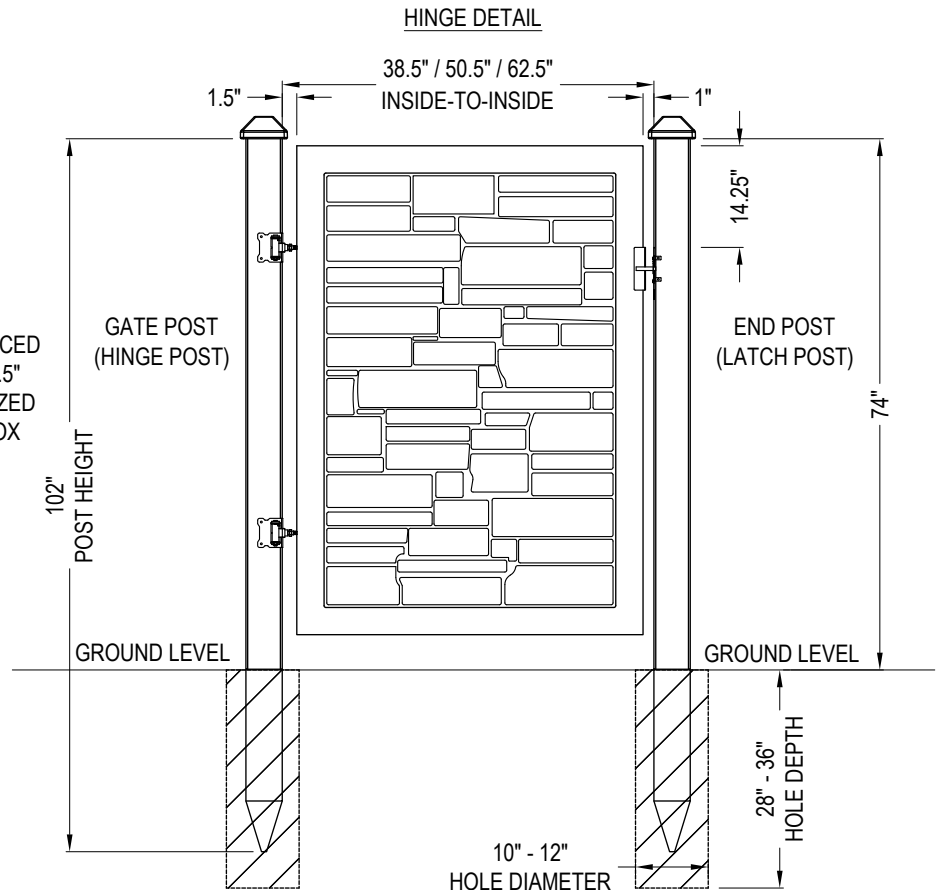


GATE HINGE THREADS INTO THE UPPER AND LOWER INSERTS IN THE GATE METAL FRAME LEAVING ABOUT 1.5" FROM THE EDGE OF THE GATE TO THE GATE POST



ACTUAL GATE DIMENSIONS

GATE IS REINFORCED WITH A 1.5" GALVANIZED STEEL BOX TUBE



ELEVATION VIEW

SPECIFICATIONS

FINISH: MADE WITH LINEAR LOW DENSITY POLYETHYLENE PLASTIC (LLDPE)

PANEL WEIGHT: 67 LBS

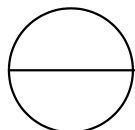
TOLERANCES: ± .5"

MANUFACTURER NOTES:

1. US PATENTS 7,478,797 / 7,635,114 FOREIGN PATENTS PENDING.

NOTES:

1. INSTALLATION TO BE COMPLETED IN ACCORDANCE WITH MANUFACTURER'S SPECIFICATIONS.
2. DO NOT SCALE DRAWING.
3. THIS DRAWING IS INTENDED FOR USE BY ARCHITECTS, ENGINEERS, CONTRACTORS, CONSULTANTS AND DESIGN PROFESSIONALS FOR PLANNING PURPOSES ONLY. THIS DRAWING MAY NOT BE USED FOR CONSTRUCTION.
4. ALL INFORMATION CONTAINED HEREIN WAS CURRENT AT THE TIME OF DEVELOPMENT BUT MUST BE REVIEWED AND APPROVED BY THE PRODUCT MANUFACTURER TO BE CONSIDERED ACCURATE.
5. CONTRACTOR'S NOTE: FOR PRODUCT AND COMPANY INFORMATION VISIT www.CADdetails.com/info AND ENTER REFERENCE NUMBER 035-106.



PRIVACY GATES

(BUFFTECH) ALLEGHENY GATES – 70 X 36, 48, 60

Bufftech®

SELECT DESIRED SIZE:

6' HEIGHT X 6' WIDE

SELECT DESIRED COLOR:

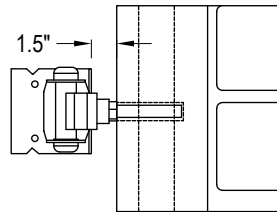
BEIGE GRANITE

BROWN GRANITE

DARK BROWN GRANITE

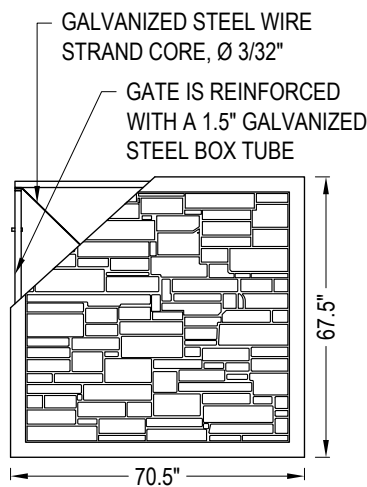
GRAY GRANITE

DARK GRAY GRANITE

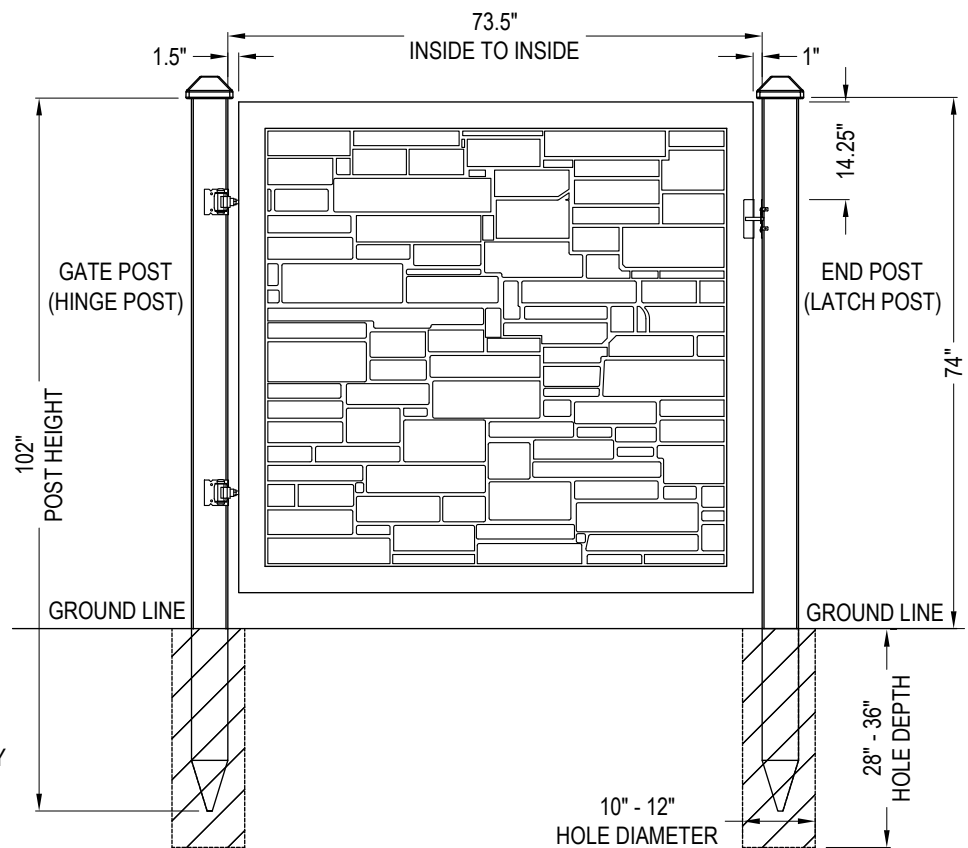


GATE HINGE THREADS INTO THE UPPER AND LOWER INSERTS IN THE GATE METAL FRAME LEAVING ABOUT 1.5" FROM THE EDGE OF THE GATE TO THE GATE POST

HINGE DETAIL



ACTUAL GATE DIMENSIONS



ELEVATION VIEW

SPECIFICATIONS

FINISH: MADE WITH LINEAR LOW DENSITY POLYETHYLENE PLASTIC (LLDPE)

PANEL WEIGHT: 67 LBS

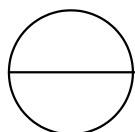
TOLERANCES: ± .5"

MANUFACTURER NOTES:

1. US PATENTS 7,478,797 / 7,635,114 FOREIGN PATENTS PENDING.

NOTES:

1. INSTALLATION TO BE COMPLETED IN ACCORDANCE WITH MANUFACTURER'S SPECIFICATIONS.
2. DO NOT SCALE DRAWING.
3. THIS DRAWING IS INTENDED FOR USE BY ARCHITECTS, ENGINEERS, CONTRACTORS, CONSULTANTS AND DESIGN PROFESSIONALS FOR PLANNING PURPOSES ONLY. THIS DRAWING MAY NOT BE USED FOR CONSTRUCTION.
4. ALL INFORMATION CONTAINED HEREIN WAS CURRENT AT THE TIME OF DEVELOPMENT BUT MUST BE REVIEWED AND APPROVED BY THE PRODUCT MANUFACTURER TO BE CONSIDERED ACCURATE.
5. CONTRACTOR'S NOTE: FOR PRODUCT AND COMPANY INFORMATION VISIT www.CADdetails.com/info AND ENTER REFERENCE NUMBER 035-107.



PRIVACY GATES

(BUFFTECH) ALLEGHENY GATE - 6' H X 6' W