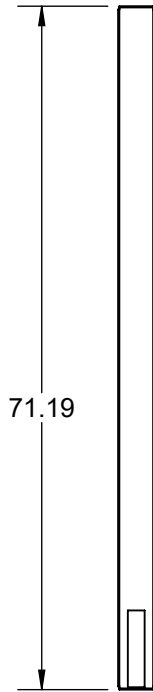


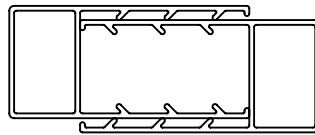
NOTES:

1. EXTRUSIONS ARE INDIVIDUALLY BAGGED IN POLYTUBE.
2. WRAP BOTH ENDS OF STACKED CHANNELS WITH PLASTIC WRAP TO PREVENT MOVEMENT INSIDE BOX.

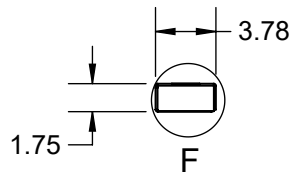
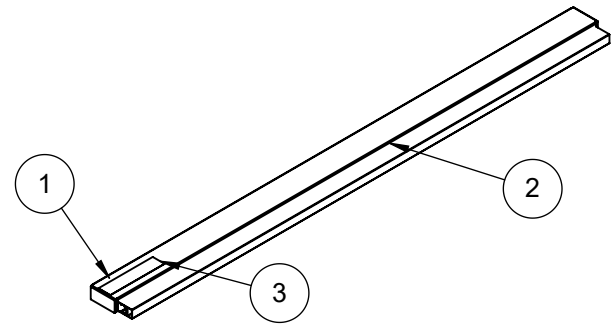
ITEM NO.	PART NO	DESCRIPTION	QTY
1	EPN-0991_70.313"	1.17"X2.5"X70.313" U CHANNEL FOR VINYL MB	2
2	EPN-52325	5PNL FOLDER - 70-7/16 L X 3-3/8 W X 1-1/2 H - PRINTED	1
3	EPN-51505	LABEL UPC 50070	1



MM TOP/BTM CHNL VINYL FILL MB  
2PCS-NATL



DETAIL F  
SCALE 1 : 2

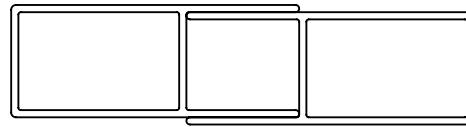
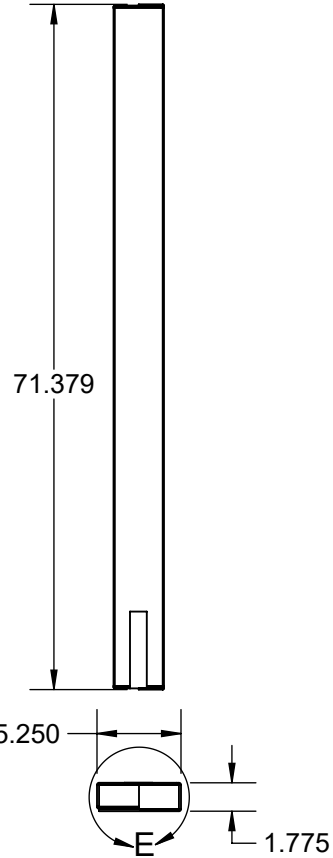


BOX INSIDE DIMENSIONS:  
70-7/16"L X 3-3/8"W X 1-1/2"H

NOTES:

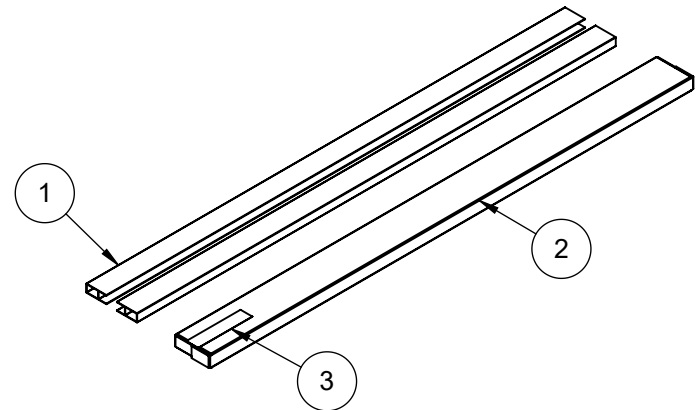
1. EXTRUSIONS ARE INDIVIDUALLY BAGGED IN POLYTUBE.
2. WRAP BOTH ENDS OF STACKED CHANNELS WITH PLASTIC WRAP TO PREVENT MOVEMENT INSIDE BOX.

ITEM NO.	PART NO	DESCRIPTION	QTY
1	EPN-0992_70.5"	1.17"X3"X70.5" U CHANNEL FOR WOOD MB	2
2	EPN-52326	5PNL FOLDER - 70-5/8 L X 5 W X 1-3/8 H - PRINTED	1
3	EPN-51504	LABEL UPC 47660	1



DETAIL E  
SCALE 1 : 2

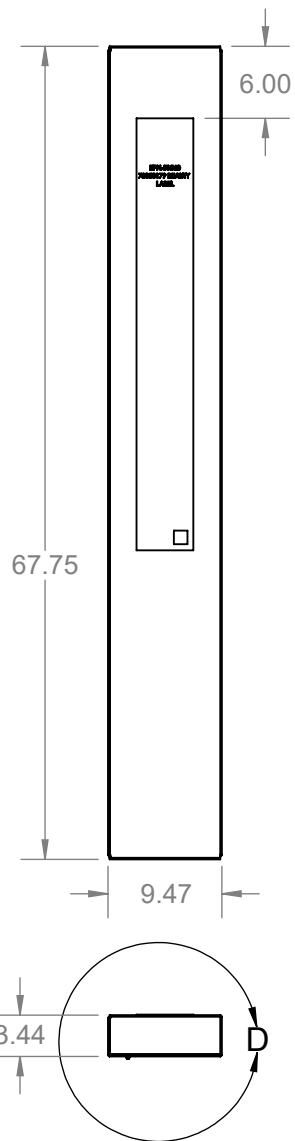
MM 2PC CHANNEL KIT WOOD INFILL  
MB-NATL



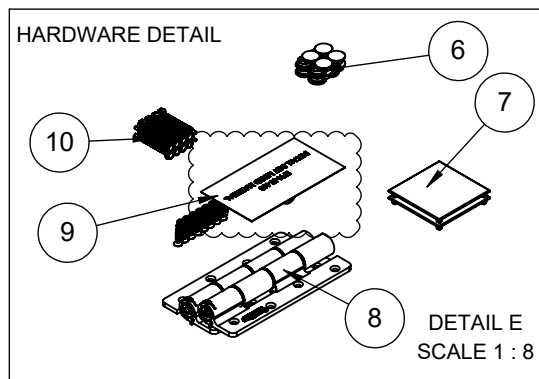
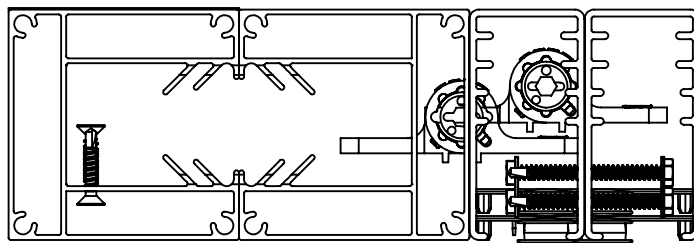
BOX INSIDE DIMENSIONS:  
70-5/8"L X 5"W X 1-3/8"H

NOTES:

1. ALIGN PARTS AS SHOWN INSIDE BOX.
2. TAPE ALL SEAMS SHUT.
3. ADD LABEL AS SHOWN.

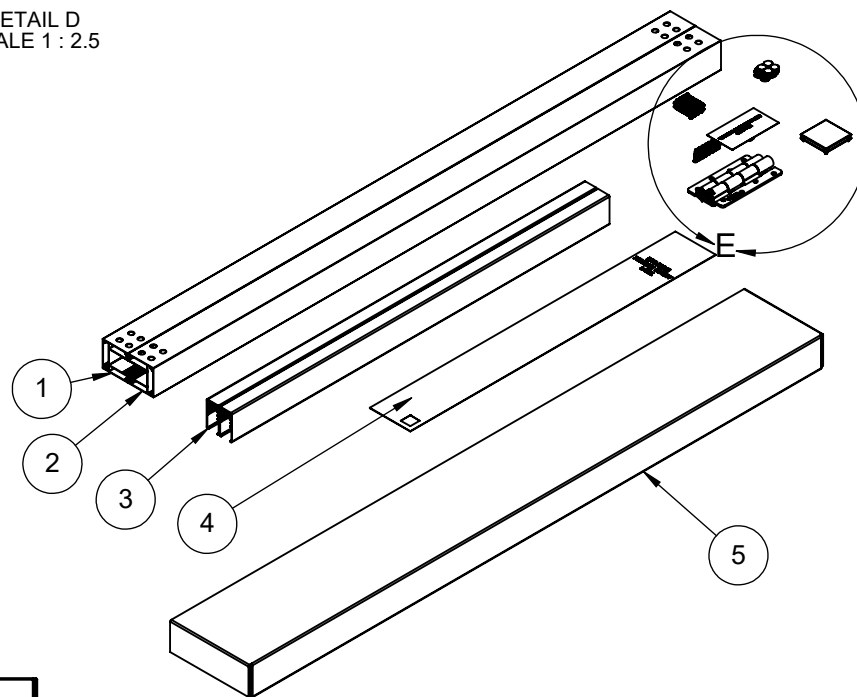


**MM 6X46 KD GATE KIT MATTE BLACK-NATL**



ITEM NO.	73050181 MATTE BLK - NATL	DESCRIPTION	
1	EPN-0914	3X3X67.685 SGL GRV RTE LEFT GATE UR - MATTE BLK	1
2	EPN-0913	3X3X67.685 SGL GRV RTE RIGHT GATE UR - MATTE BLK	1
3	EPN-0916	1.5X3X44.5 W.085 MM GATE RAIL - MATTE BLK	2
4	EPN-51562	73050181 BEAUTY LABEL	1
5	EPN-51602	RSC 67X9-1/8X3-1/8 - NATL	1
6	EPN-8232	MM GATE 9/16" PLASTIC HOLE PLUG - 16 PACK BK -ALCA	1
7	EPN-2650	3X3 FLAT CAP ALUM	2
8	73025674	HEAVY DUTY BUTTERFLY HINGE TC - MATTE BLACK	1
9	EPN-51463	INSTALL INST MIXED MATERIAL	1
10	EPN-8231	#10-16X2" HEX HEAD 410SS SDS -16 PACK	1

DETAIL D  
SCALE 1 : 2.5

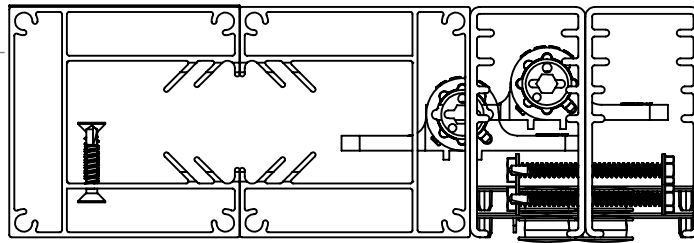
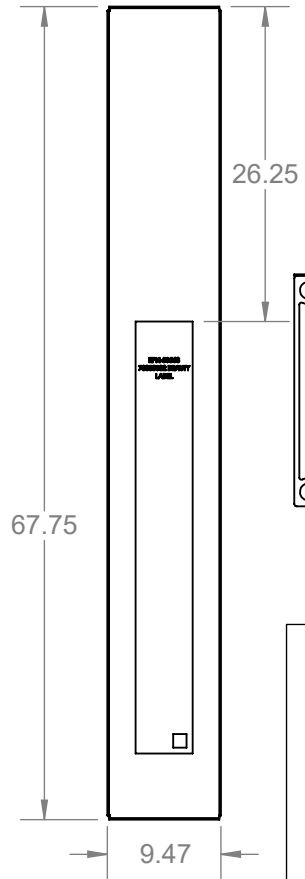


THE INFORMATION CONTAINED IN THIS DRAWING IS PROTECTED BY COPYRIGHT AND PATENT LAWS OF THE UNITED STATES AND OTHER COUNTRIES. ANY REPRODUCTION IN PART OR AS A WHOLE WITHOUT WRITTEN PERMISSION IS PROHIBITED.

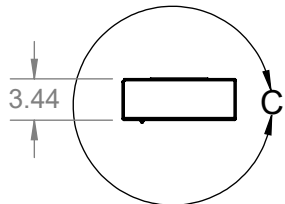
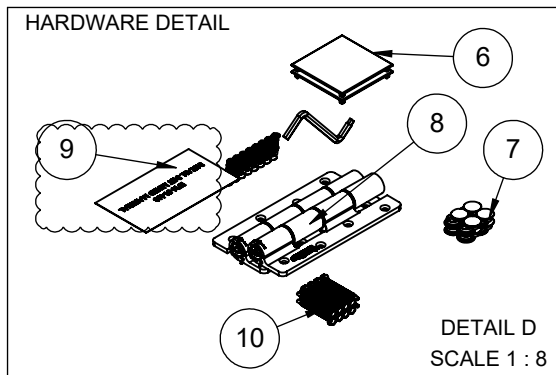
NOTES:

1. ALIGN PARTS AS SHOWN INSIDE BOX.
2. TAPE ALL SEAMS SHUT.
3. ADD LABEL AS SHOWN.

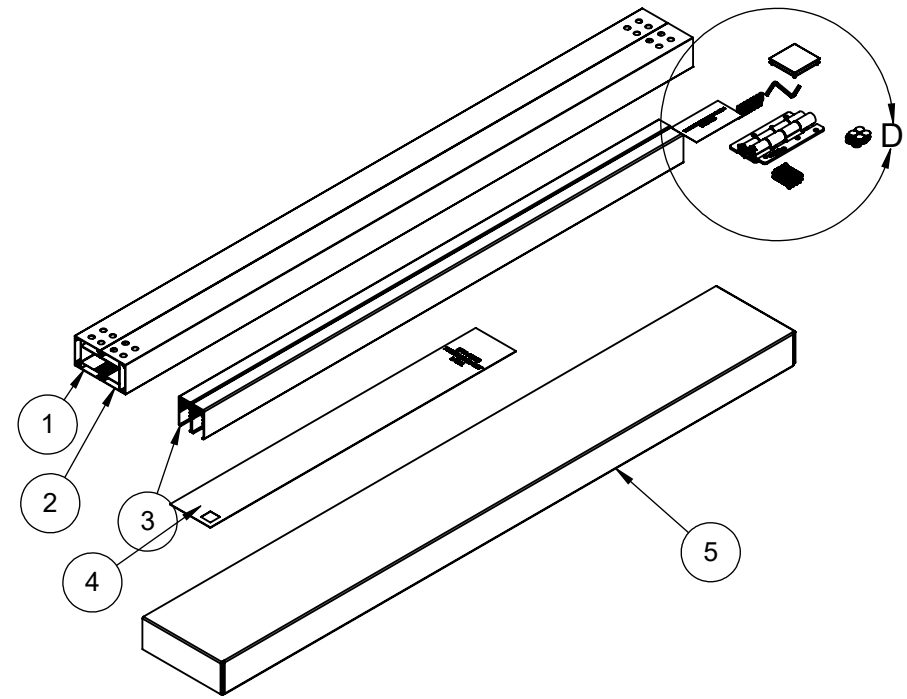
**MM 6X58 KD GATE KIT MATTE BLACK-NATL**



DETAIL C  
SCALE 1 : 2.5



ITEM NO.	73050182 MATTE BLK	DESCRIPTION	
1	EPN-0914	3X3X66.875 SGL GRV RTE LEFT GATE UR - MATTE BLK	1
2	EPN-0913	3X3X66.875 SGL GRV RTE RIGHT GATE UR - MATTE BLK	1
3	EPN-0917	1.5X3X56.5 W.085 MM GATE RAIL - MATTE BLK	2
4	EPN-51563	73050182 BEAUTY LABEL	1
5	EPN-51602	RSC 67X9-1/8X3-1/8 - NATL	1
6	EPN-2650	3X3 FLAT CAP ALUM MB	2
7	EPN-8232	MM GATE 9/16" PLASTIC HOLE PLUG - 16 PACK BK -ALCA	1
8	73025674	HEAVY DUTY BUTTERFLY HINGE TC - MATTE BLACK	1
9	EPN-51463	INSTALL INST MIXED MATERIAL	1
10	EPN-8231	#10-16X2" HEX HEAD 410SS SDS -16 PACK	1

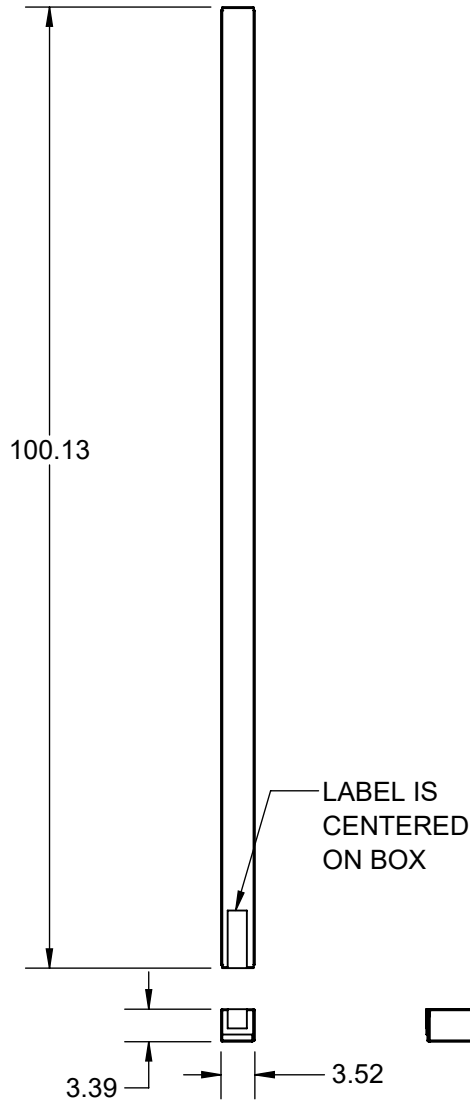


THE INFORMATION CONTAINED IN THIS DRAWING IS PROTECTED BY COPYRIGHT AND PATENT LAWS OF THE UNITED STATES AND OTHER COUNTRIES. ANY REPRODUCTION IN PART OR AS A WHOLE WITHOUT WRITTEN PERMISSION IS PROHIBITED.

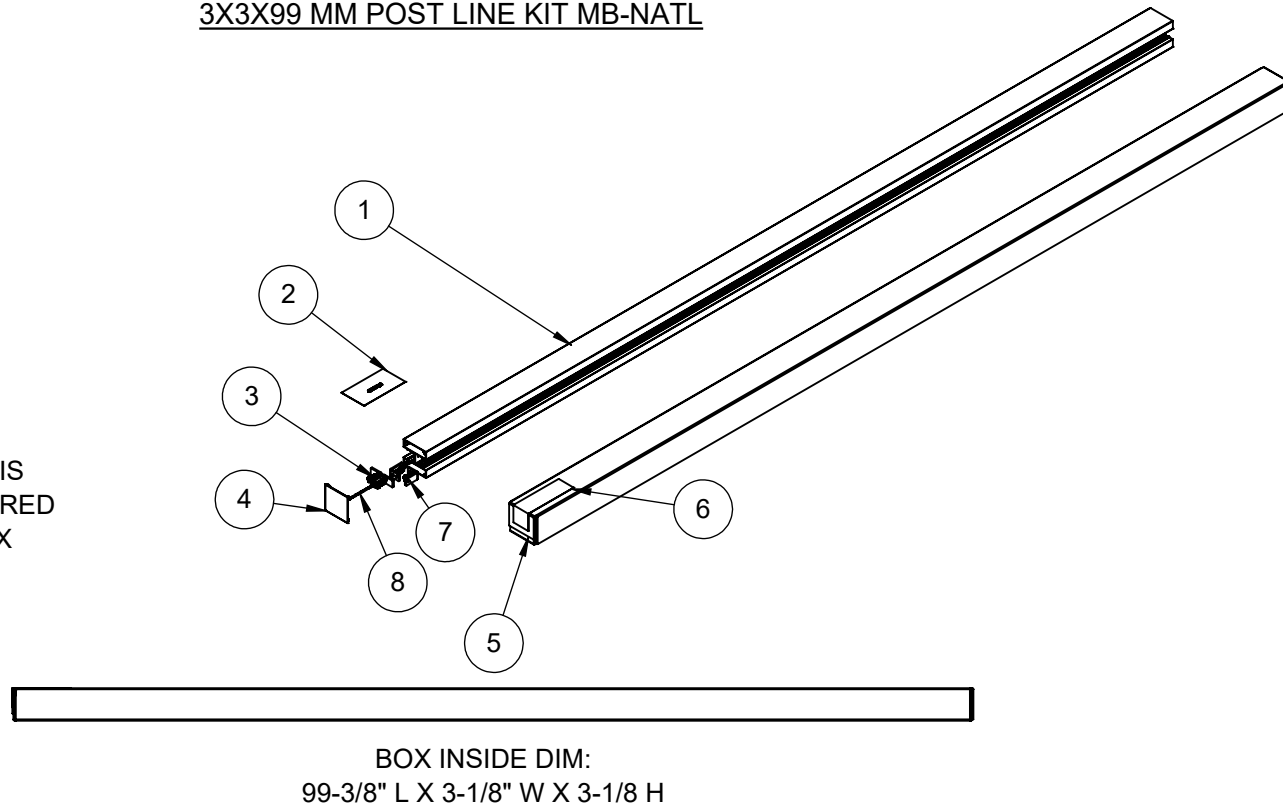
NOTES:

1. EXTRUSION IS BAGGED IN A POLYTUBE.
2. POST CAP IS BAGGED AND PLACED AT THE END OF THE POST

ITEM NO.	PART NO	DESCRIPTION	QTY
1	EPN-0865- 99"	3X3X99 DBL GROOVE UPRIGHT MB	1
2	EPN-51503	INSTALL INST MIXED MATERIAL NATL	1
3	EPN-8199	BOTTOM L BRACKET WITH HARDWARE	2
4	EPN-2650	3X3 FLAT CAP ALUM	1
5	EPN-51568	5PNL FOLDER - 99-3/8L X 3-1/8W X 3-1/8H - PRINTED	1
6	EPN-51501	LABEL UPC 47658	1
7	EPN-8228	TOP L BRACKET WITH HARDWARE	2
8	EPN-51565	HIGH-SPEED STEEL DRILL BIT, 5/32"	1



3X3X99 MM POST LINE KIT MB-NATL

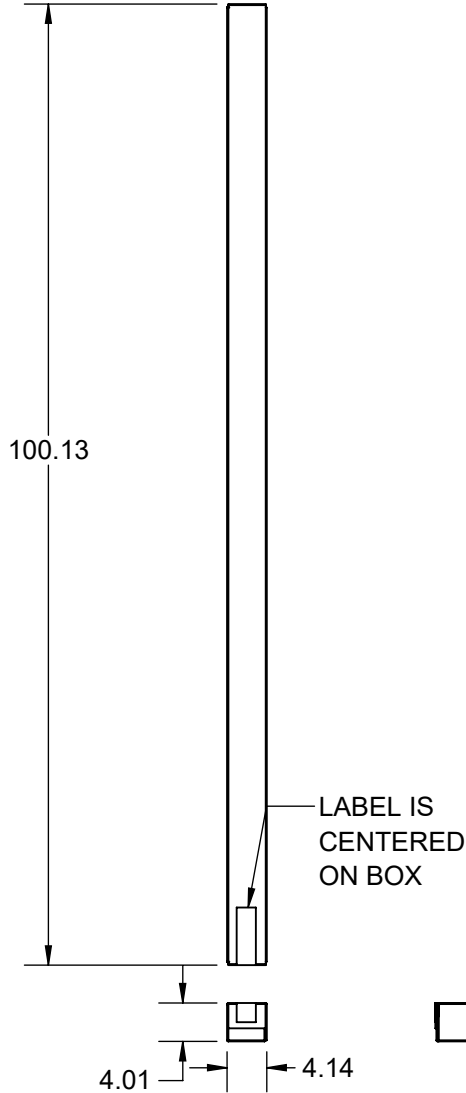


THE INFORMATION CONTAINED IN THIS DRAWING IS PROTECTED BY COPYRIGHT AND PATENT LAWS OF THE UNITED STATES AND OTHER COUNTRIES. ANY REPRODUCTION IN PART OR AS A WHOLE WITHOUT WRITTEN PERMISSION IS PROHIBITED.

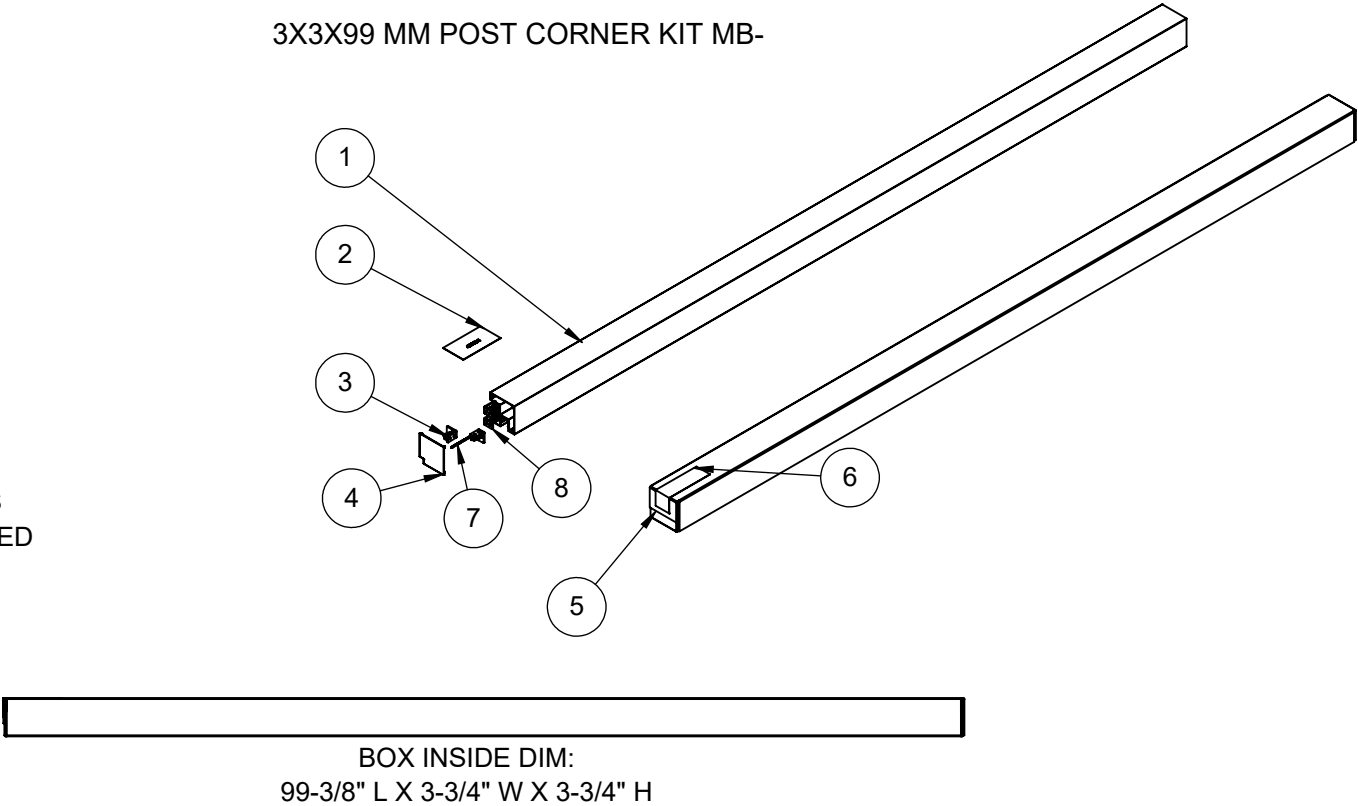
ITEM NO.	PART NO	DESCRIPTION	QTY
1	EPN-0866- 99"	3.6X3.6X99 CRNR GROOVE POST MB	1
2	EPN-51503	INSTALL INST MIXED MATERIAL NATL	1
3	EPN-8199	BOTTOM L BRACKET WITH HARDWARE	2
4	EPN-2651	3.6X3.6 FLAT CAP ALUM	1
5	EPN-51569	5PNL FOLDER - 99-3/8L X 3-3/4W X 3-3/4H - PRINTED	1
6	EPN-51502	LABEL UPC 47659	1
7	EPN-51565	HIGH-SPEED STEEL DRILL BIT, 5/32"	1
8	EPN-8228	TOP L BRACKET WITH HARDWARE	2

NOTES:

1. EXTRUSION IS BAGGED IN A POLYTUBE.
2. POST CAP IS BAGGED AND PLACED AT THE END OF THE POST



3X3X99 MM POST CORNER KIT MB-

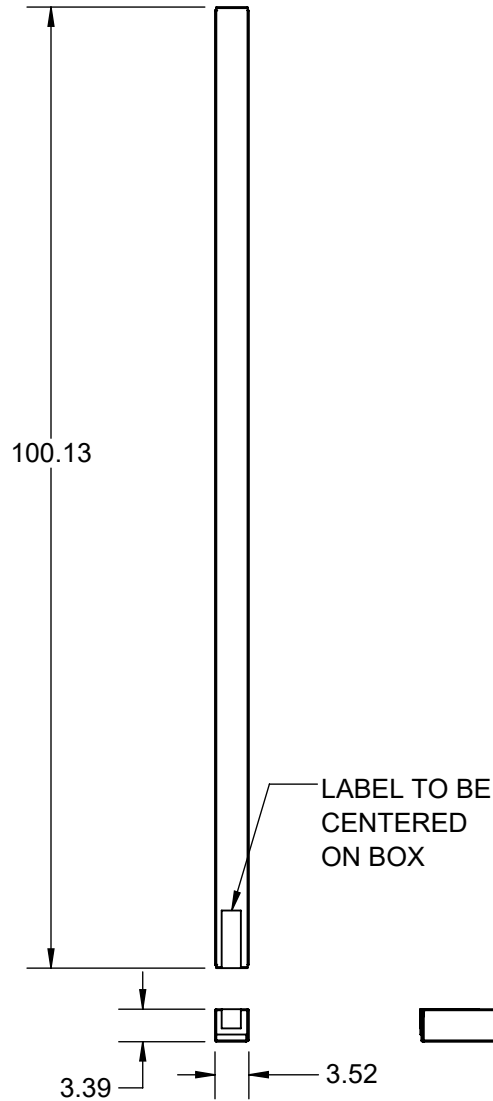


THE INFORMATION CONTAINED IN THIS DRAWING IS PROTECTED BY COPYRIGHT AND PATENT LAWS OF THE UNITED STATES AND OTHER COUNTRIES. ANY REPRODUCTION IN PART OR AS A WHOLE WITHOUT WRITTEN PERMISSION IS PROHIBITED.

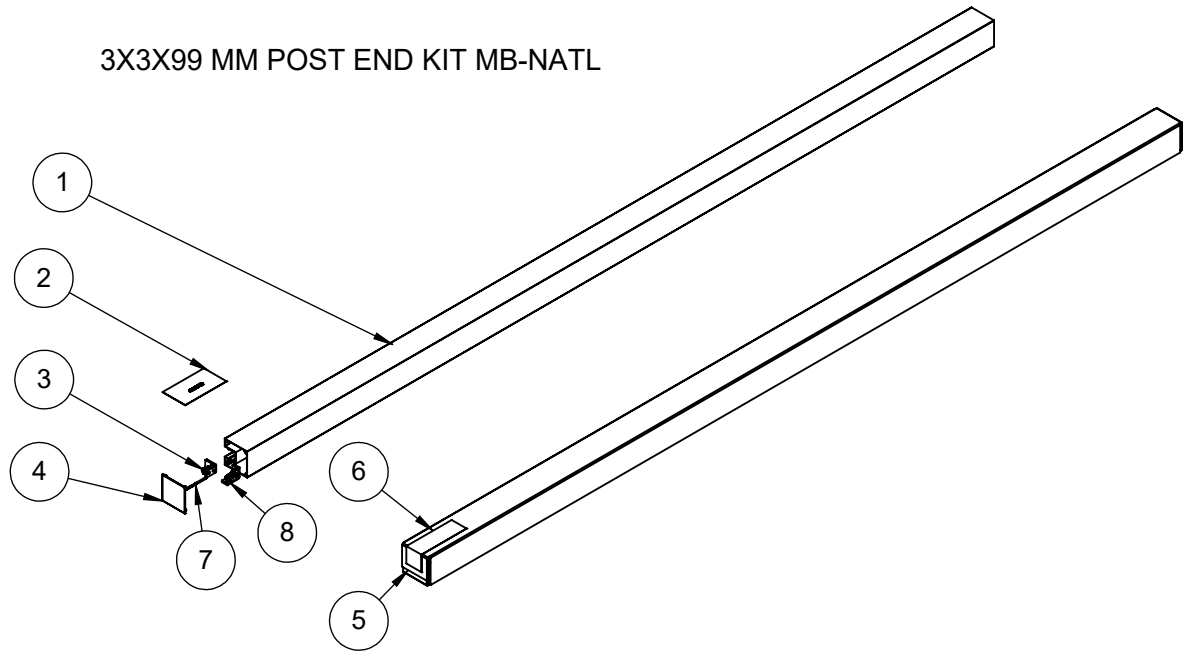
NOTES:

1. EXTRUSION IS BAGGED IN A POLYTUBE.
2. POST CAP IS BAGGED AND PLACED AT THE END OF THE POST

ITEM NO.	PART NO	DESCRIPTION	QTY
1	EPN-0873- 99"	3X3x99 GROOVE UPRIGHT MB	1
2	EPN-51503	INSTALL INST MIXED MATERIAL NATL	1
3	EPN-8199	BOTTOM L BRACKET WITH HARDWARE	1
4	EPN-2650	3X3 FLAT CAP ALUM	1
5	EPN-51568	5PNL FOLDER - 99-3/8L X 3-1/8W X 3-1/8H - PRINTED	1
6	EPN-51500	LABEL UPC 47358	1
7	EPN-51565	HIGH-SPEED STEEL DRILL BIT, 5/32"	1
8	EPN-8228	TOP L BRACKET WITH HARDWARE	1



3X3X99 MM POST END KIT MB-NATL

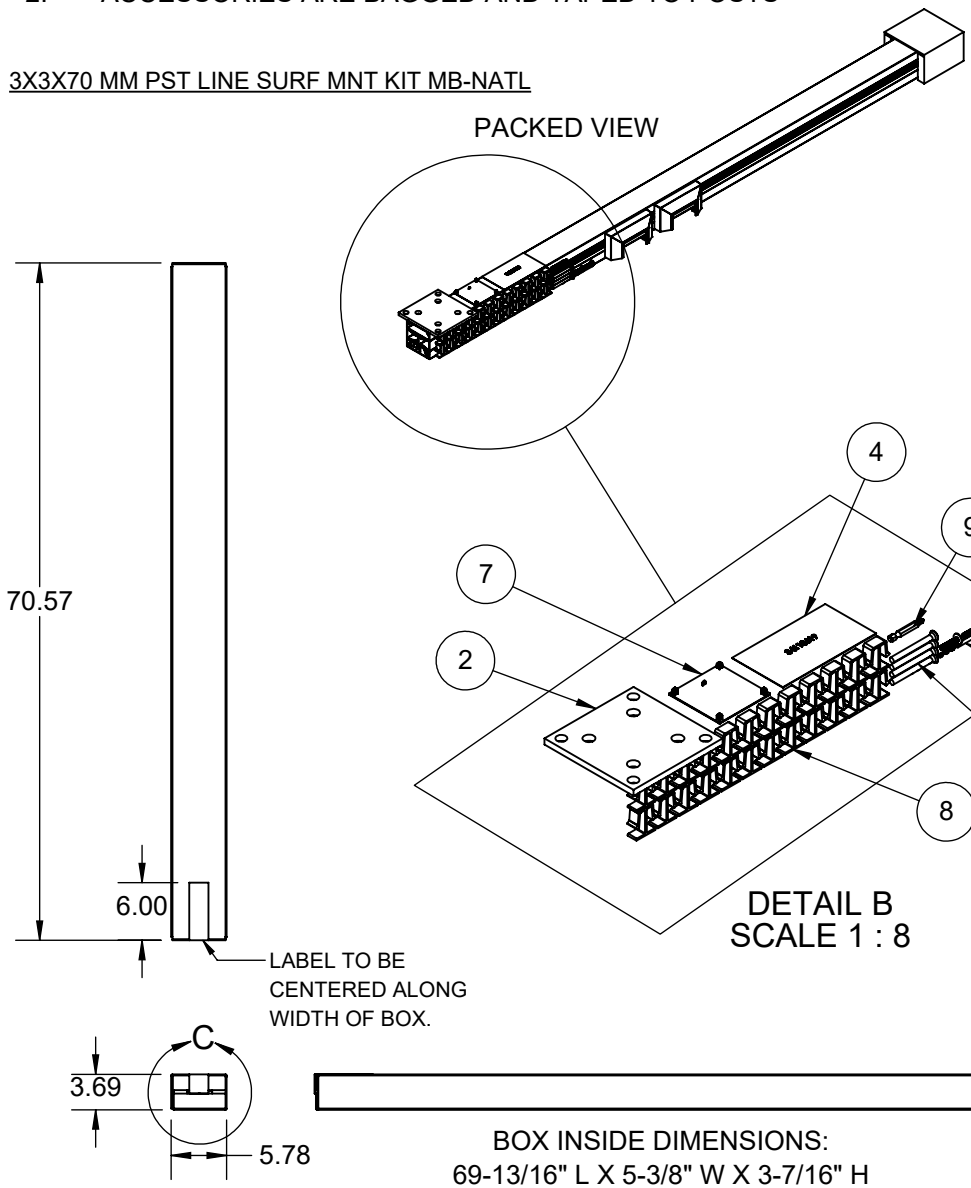


THE INFORMATION CONTAINED IN THIS DRAWING IS PROTECTED BY COPYRIGHT AND PATENT LAWS OF THE UNITED STATES AND OTHER COUNTRIES. ANY REPRODUCTION IN PART OR AS A WHOLE WITHOUT WRITTEN PERMISSION IS PROHIBITED.

NOTES:

1. EXTRUSIONS ARE INDIVIDUALLY BAGGED IN POLYTUBE
2. ACCESSORIES ARE BAGGED AND TAPED TO POSTS

3X3X70 MM PST LINE SURF MNT KIT MB-NATL



ITEM NO.	PART NO.	DESCRIPTION	QTY
1	EPN-0865-69.685"	3X3X69.685 DBL GROOVE UPRIGHT MB	1
2	EPN-4254	3" POST BASE PLATE ALUM 8 HOLES	1
3	34109436	SCREW KIT 4-PK FLAT PHILLIP MILL BAG	1
4	EPN-51503	INSTALL INST MIXED MATERIAL NATL	1
5	EPN-51498	LABEL UPC 47087	1
6	EPN-51566	5PNL FOLDER - 69-13/16 L X 5-3/8 W X 3-7/16 H - PRINTED	1
7	EPN-2650	3X3 FLAT CAP ALUM	1
8	EPN-8192	1/2" SPACER - 12 PACK	2
9	EPN-51436	DRIVE BIT, #3X 2" PHILLIPS	1
10	EPN-51464	5-1/4"X5-1/4"X3-5/16" FILLER	1
11	EPN-0874 - 1.685"	1.685" GROOVE INSERT MB	2
12	EPN-2653	2 PC 3" POST TRIM ALUM	2
13	EPN-2606	0.5 DIAM X 1.0 POST COVER CLIP	2
14	EPN-51565	HIGH-SPEED STEEL DRILL BIT, 5/32"	1
15	EPN-8228	TOP L BRACKET WITH HARDWARE	2

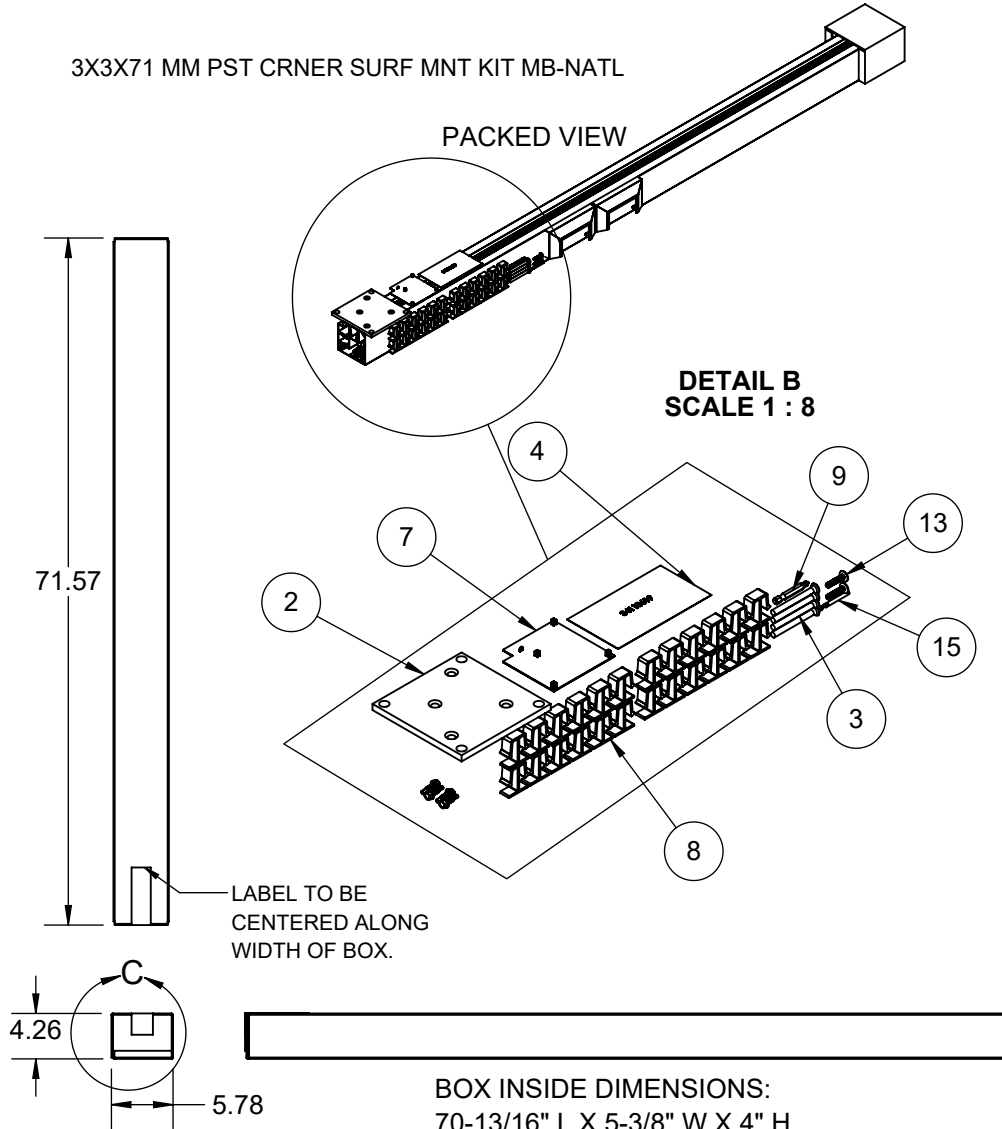
THE INFORMATION CONTAINED IN THIS DRAWING IS PROTECTED BY COPYRIGHT AND PATENT LAWS OF THE UNITED STATES AND OTHER COUNTRIES. ANY REPRODUCTION IN PART OR AS A WHOLE WITHOUT WRITTEN PERMISSION IS PROHIBITED.



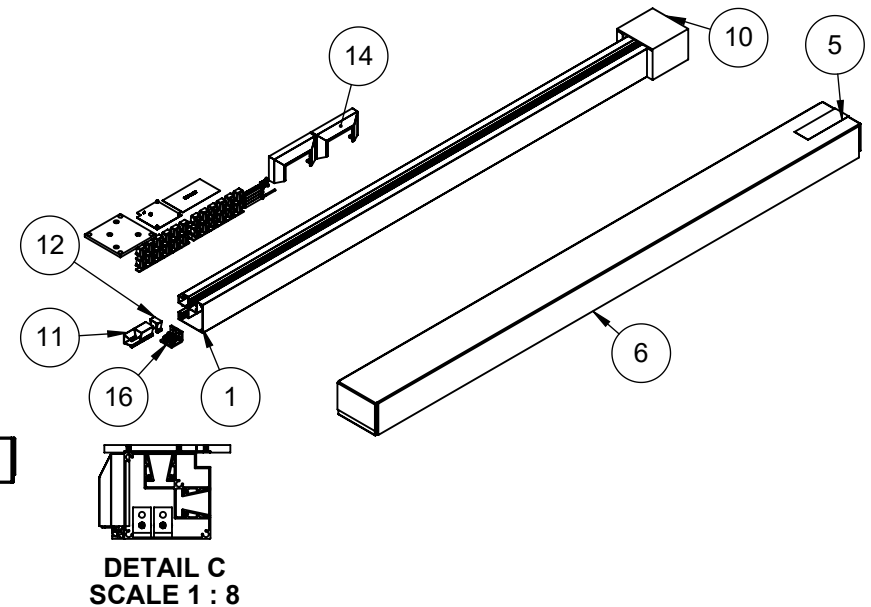
**NOTES:**

1. EXTRUSIONS ARE INDIVIDUALLY BAGGED IN POLYTUBE
2. ACCESSORIES ARE BAGGED AND TAPED TO POSTS

3X3X71 MM PST CRNR SURF MNT KIT MB-NATL



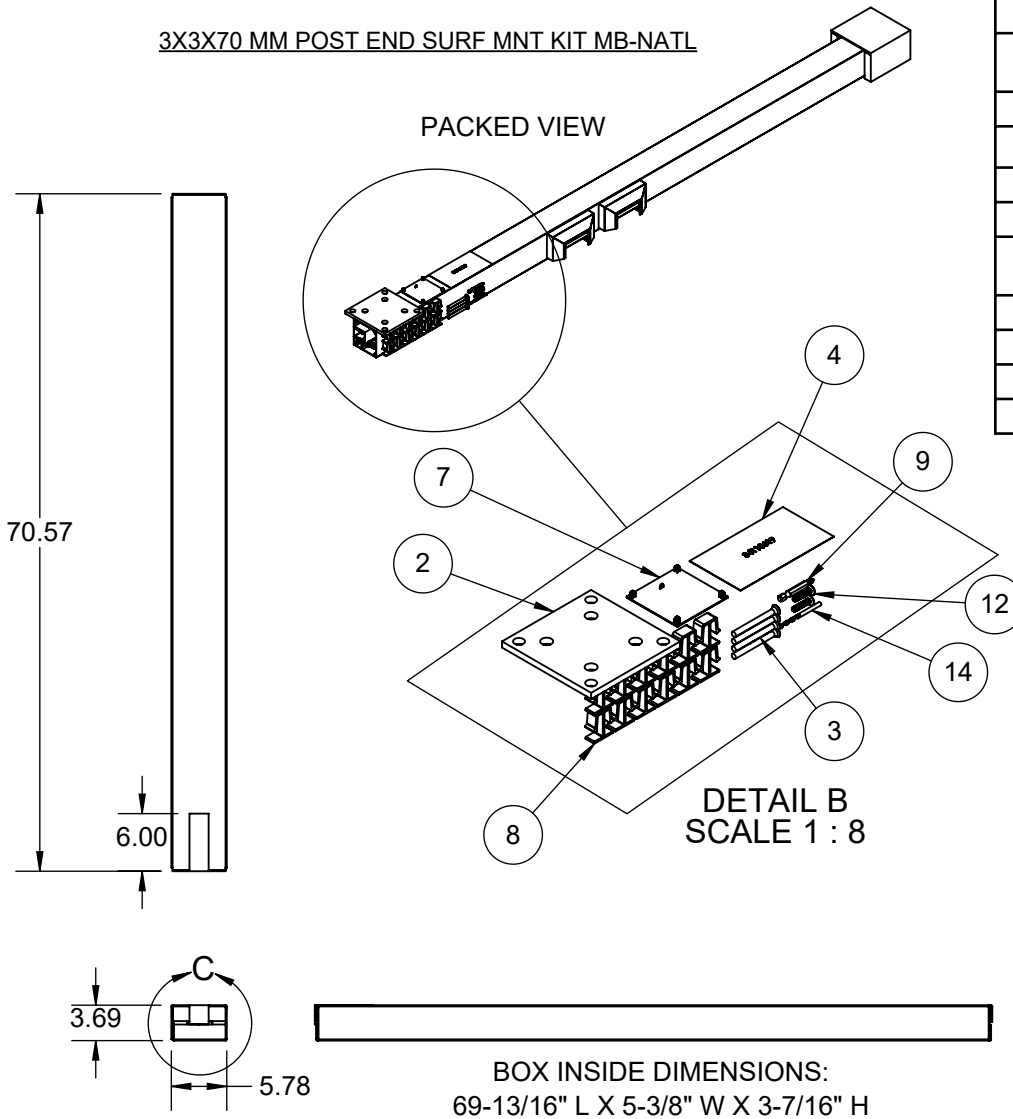
ITEM NO.	PART NO.	DESCRIPTION	QTY
1	EPN-0866-70.685"	3.6X3.6X70.685 CRNR GROOVE POST MB	1
2	EPN-4255	3.6" POST BASE PLATE ALUM 8 HOLES	1
3	34109436	SCREW KIT 4-PK FLAT PHILLIP MILL BAG	1
4	EPN-51463	INSTALL INST MIXED MATERIAL	1
5	EPN-51499	LABEL UPC 47356	1
6	EPN-51567	5PNL FOLDER - 70-13/16 L X 5-3/8 W X 4 H - PRINTED	1
7	EPN-2651	3.6X3.6 FLAT CAP ALUM	1
8	EPN-8192	1/2" SPACER - 12 PACK	2
9	EPN-51436	DRIVE BIT, #3X 2" PHILLIPS	1
10	EPN-51465	5-1/4"X5-1/4"X3-15/16" FILLER	1
11	EPN-0874 - 1.685"	1.685" GROOVE INSERT MB	2
12	EPN-0874- 0.625"	0.625" GROOVE INSERT MB	2
13	EPN-2606	0.5 DIAM X 1.0 POST COVER CLIP	2
14	EPN-2654	2 PC 3.6" POST TRIM ALUM	2
15	EPN-51565	HIGH-SPEED STEEL DRILL BIT, 5/32"	1
16	EPN-8228	TOP L BRACKET WITH HARDWARE	2



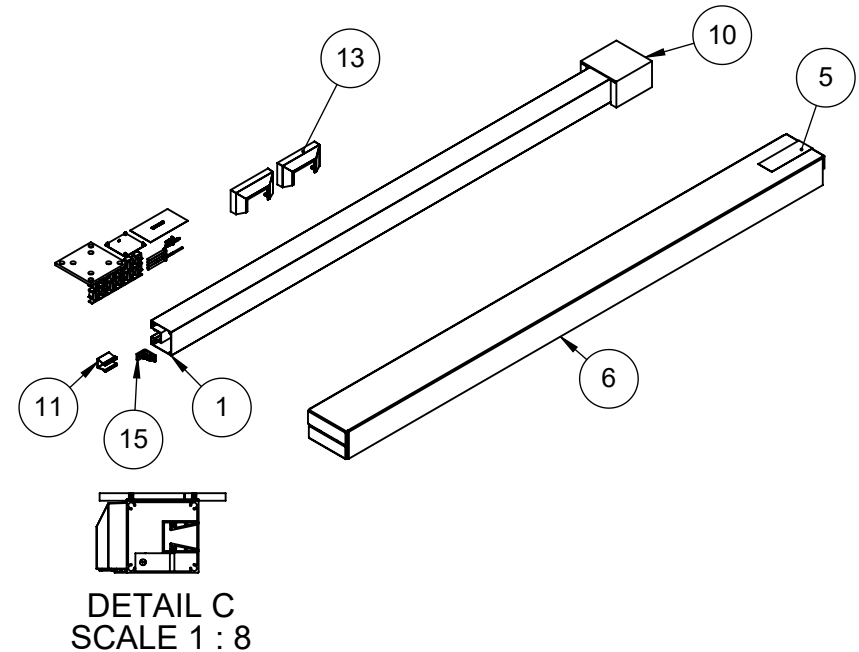
THE INFORMATION CONTAINED IN THIS DRAWING IS PROTECTED BY COPYRIGHT AND PATENT LAWS OF THE UNITED STATES AND OTHER COUNTRIES. ANY REPRODUCTION IN PART OR AS A WHOLE WITHOUT WRITTEN PERMISSION IS PROHIBITED.

NOTES:

1. EXTRUSIONS ARE INDIVIDUALLY BAGGED IN POLYTUBE
2. ACCESSORIES ARE BAGGED AND TAPED TO POSTS



ITEM NO.	PART NO.	DESCRIPTION	QTY
1	EPN-0873-69.685"	3X3x69.685 GROOVE UPRIGHT MB	1
2	EPN-4254	3" POST BASE PLATE ALUM 8 HOLES	1
3	34109436	SCREW KIT 4-PK FLAT PHILLIP MILL BAG	1
4	EPN-51503	INSTALL INST MIXED MATERIAL NATL	1
5	EPN-51497	LABEL UPC 47086	1
6	EPN-51566	5PNL FOLDER - 69-13/16 L X 5-3/8 W X 3-7/16 H - PRINTED	1
7	EPN-2650	3X3 FLAT CAP ALUM	1
8	EPN-8192	1/2" SPACER - 12 PACK	1
9	EPN-51436	DRIVE BIT, #3X 2" PHILLIPS	1
10	EPN-51464	5-1/4"X5-1/4"X3-5/16" FILLER	1
11	EPN-0874 - 1.685"	1.685" GROOVE INSERT MB	1
12	EPN-2606	0.5 DIAM X 1.0 POST COVER CLIP	2
13	EPN-2653	2 PC 3" POST TRIM ALUM	2
14	EPN-51565	HIGH-SPEED STEEL DRILL BIT, 5/32"	1
15	EPN-8228	TOP L BRACKET WITH HARDWARE	1



THE INFORMATION CONTAINED IN THIS DRAWING IS PROTECTED BY COPYRIGHT AND PATENT LAWS OF THE UNITED STATES AND OTHER COUNTRIES. ANY REPRODUCTION IN PART OR AS A WHOLE WITHOUT WRITTEN PERMISSION IS PROHIBITED.