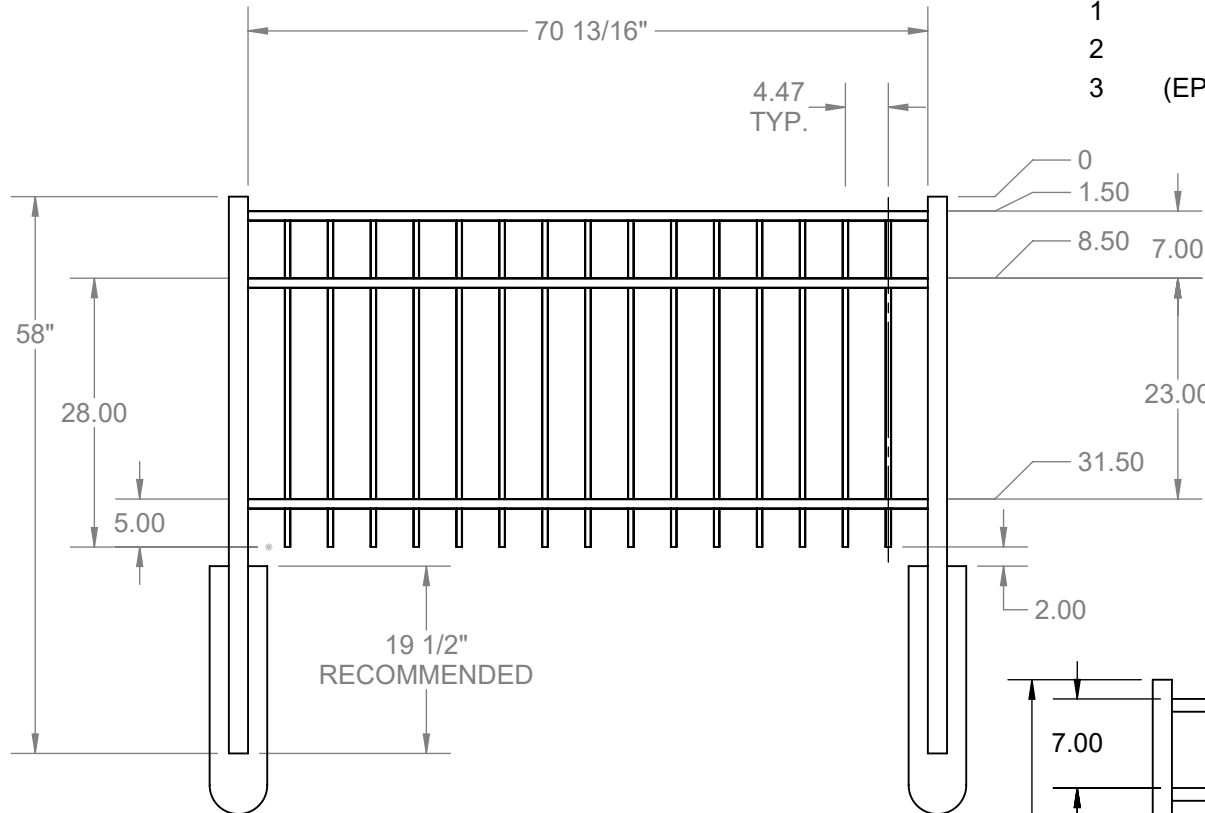


NOTE:

1. POSTS SHOWN IN VIEW ARE FOR REFERENCE ONLY.
2. BUILD PANEL ACCORDING TO BOM.

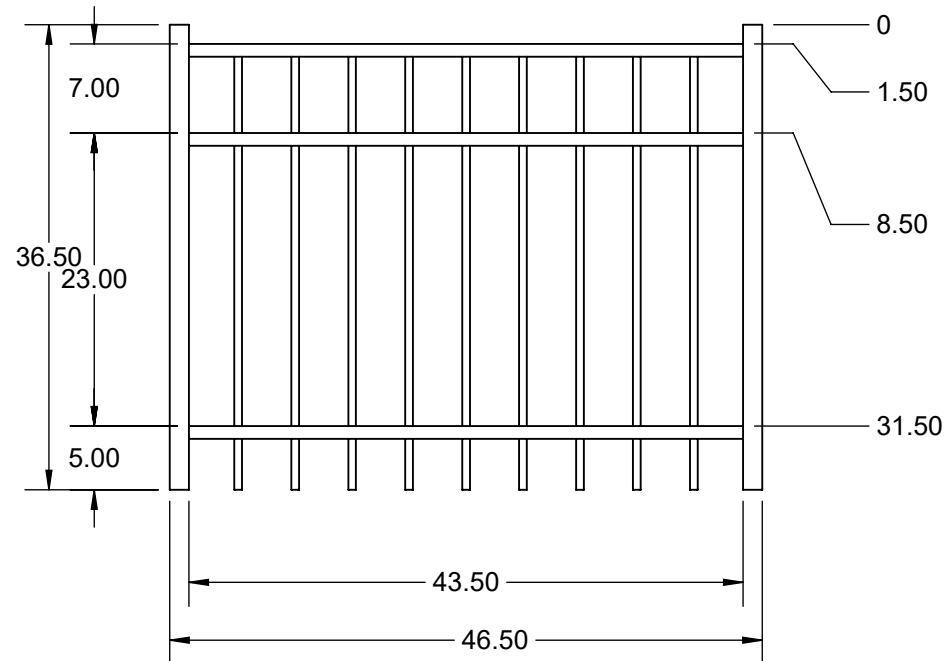
3X6 FLAT TOP BLACK PANEL



ITEM NO.	DESCRIPTION	QTY.
1	RES FENCE-RAIL 15HOL 72.3 BK	2
2	RES FENCE-RAIL 72.3 BK	1
3	(EPN-0663) .615"X.615" 3 FT-3R-FLAT TOP PICKET	15

ITEM NO.	DESCRIPTION	QTY.
1	1.5x36.5x09 AL-TUB MF	2
2	RES G8 RAIL NHOL 4'W STRT 43.5	1
3	RES GATE RAIL 9HOL 4'W STRT 43.5	2
4	5/8" PICKET 35"	9

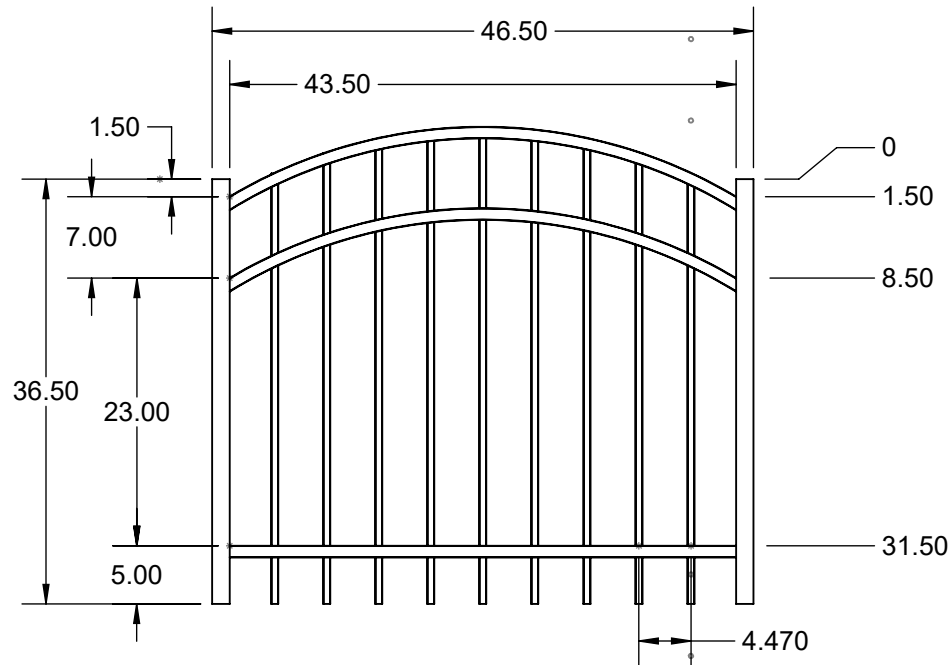
3x48 RESP FT 3R BK STR8 GT



THE INFORMATION CONTAINED IN THIS DRAWING IS PROTECTED BY COPYRIGHT AND PATENT LAWS OF THE UNITED STATES AND OTHER COUNTRIES. ANY REPRODUCTION IN PART OR AS A WHOLE WITHOUT WRITTEN PERMISSION IS PROHIBITED.

3x48 RESP FT 3R BK ARCH GT

ITEM NO.	DESCRIPTION	QTY.
1	1.5x36.5x09 AL-TUB MF	2
2	RES G8 RAIL NHOL 4'W ARCH 43.5	1
3	RES G8 RAIL 9HOL 4'W ARCH 43.5	1
4	RES GATE RAIL 9HOL 4'W STRT 43.5	1
5	5/8" PICKET 46.8125"	9



THE INFORMATION CONTAINED IN THIS DRAWING IS PROTECTED BY COPYRIGHT AND PATENT LAWS OF THE UNITED STATES AND OTHER COUNTRIES. ANY REPRODUCTION IN PART OR AS A WHOLE WITHOUT WRITTEN PERMISSION IS PROHIBITED.