

NOTE:

1. POSTS SHOWN IN VIEW ARE FOR REFERENCE ONLY.
2. BUILD PANEL ACCORDING TO BOM

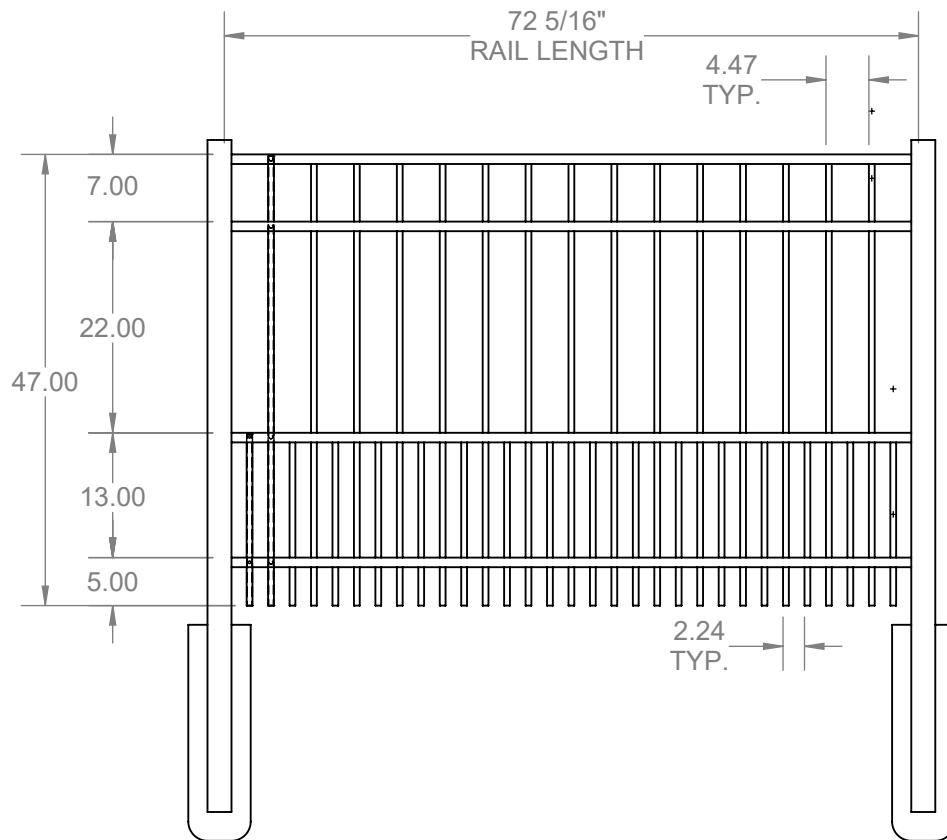
ITEM NO.

BLACK

QTY.

1	RES FENCE-RAIL 31HOL72.3 BLK	1
2	RES FENCE-RAIL 15HOL 72.3 BK	2
3	RES FENCE-RAIL 72.3 BK	1
4	5/8X46.813X042 AL-TUB 4' PP-FT BK-AA	15
5	5/8X17.875X042 AL-TUB BK-AA	16
6	CORIGIN BUMP STRIP #3-2.235"CTC	8

4X6 PUP PKT FLAT TOP BLACK PANEL



THE INFORMATION CONTAINED IN THIS DRAWING IS PROTECTED BY COPYRIGHT AND PATENT LAWS OF THE UNITED STATES AND OTHER COUNTRIES. ANY REPRODUCTION IN PART OR AS A WHOLE WITHOUT WRITTEN PERMISSION IS PROHIBITED.