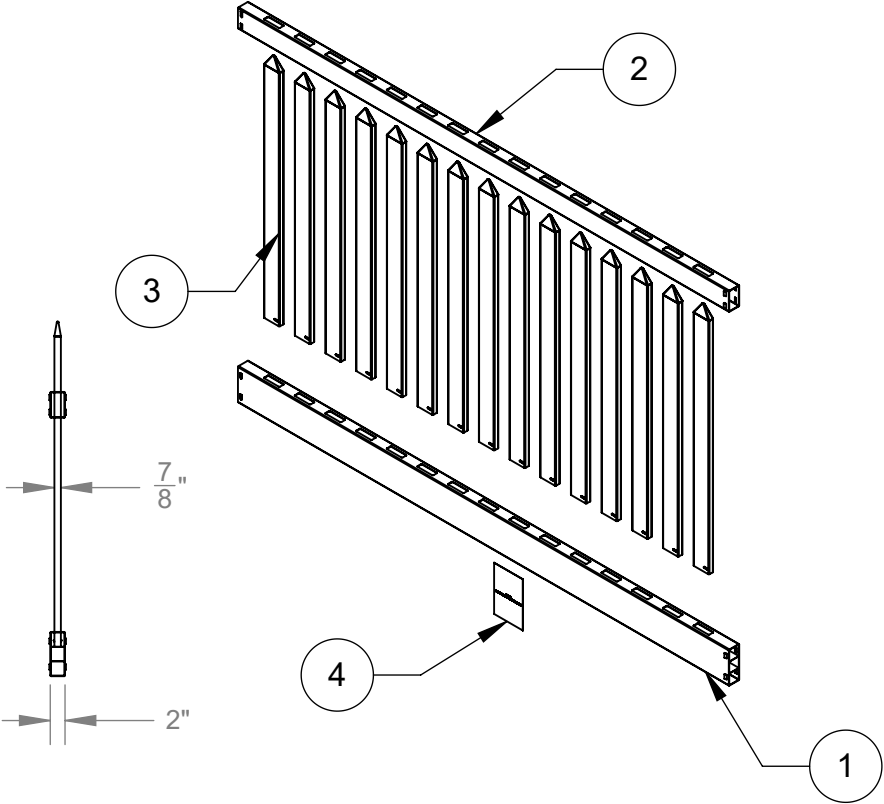
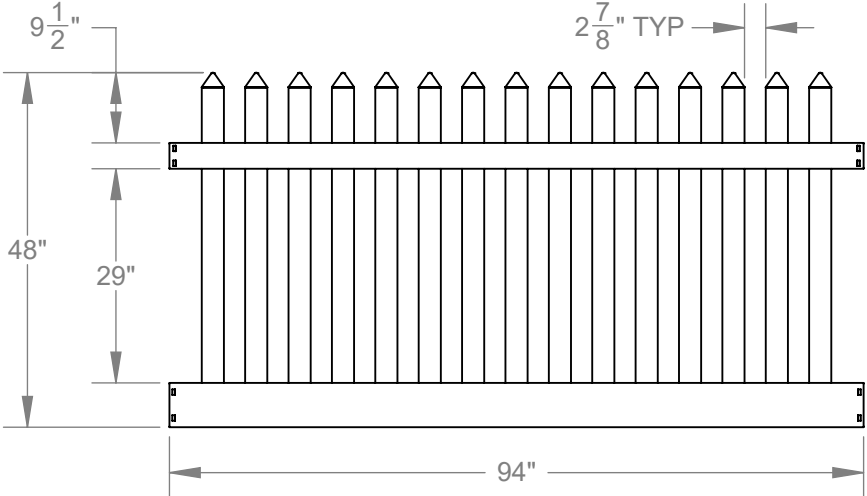


ITEM NO.	DESCRIPTION	QTY
1	2X6X94 LT SGL RTE .875X3X15	1
2	2X3.5X94 LT DBL RTE .875X3X15 WHITE	1
3	~61107631~.875X3X44 PCKT SPADE TOP WHIT	15
4	GENERIC INSTR CARD VF/VG - PRO/SO 2020	1

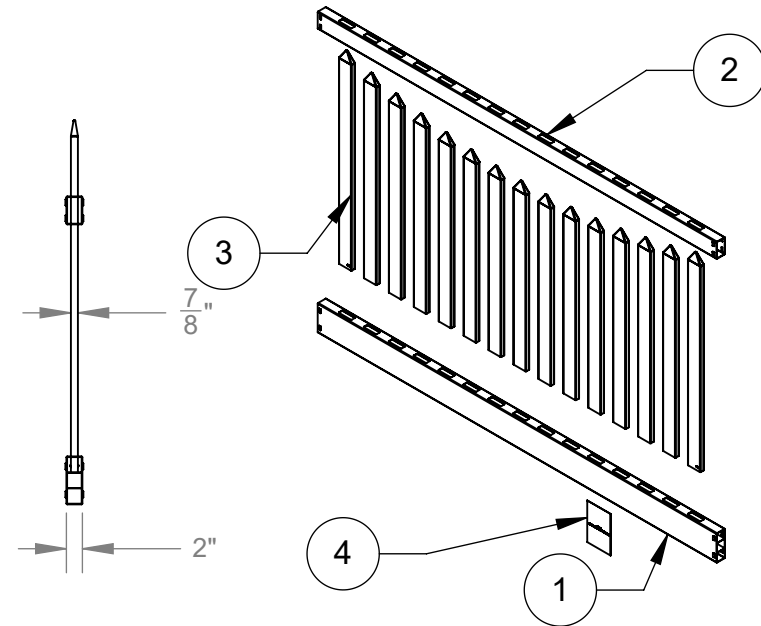
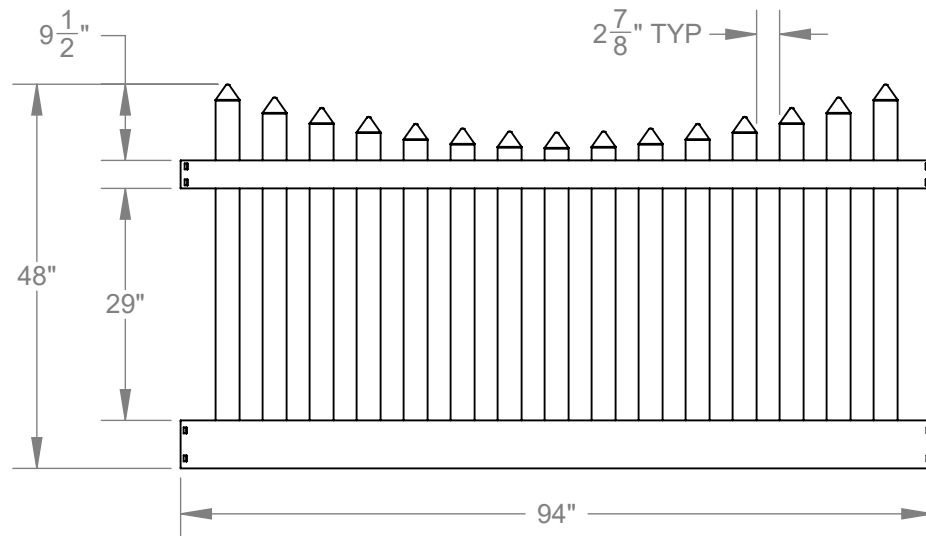
4x8 RICHMOND COMT. STRG WH (B)



THE INFORMATION CONTAINED IN THIS DRAWING IS PROTECTED BY COPYRIGHT AND PATENT LAWS OF THE UNITED STATES AND OTHER COUNTRIES. ANY REPRODUCTION IN PART OR AS A WHOLE WITHOUT WRITTEN PERMISSION IS PROHIBITED.

ITEM NO.	DESCRIPTION	QTY
1	2X6X94 LT SGL RTE .875X3X15	1
2	2X3.5X94 LT DBL RTE .875X3X15 WHITE	1
3	~61107631~.875X3X44 PCKT SPADE TOP WHIT	15
4	GENERIC INSTR CARD VF/VG - PRO/SO 2020	1

4x8 2x6 RICHMOND CONT. SCALPD VFP WH (B)



THE INFORMATION CONTAINED IN THIS DRAWING IS PROTECTED BY COPYRIGHT AND PATENT LAWS OF THE UNITED STATES AND OTHER COUNTRIES. ANY REPRODUCTION IN PART OR AS A WHOLE WITHOUT WRITTEN PERMISSION IS PROHIBITED.