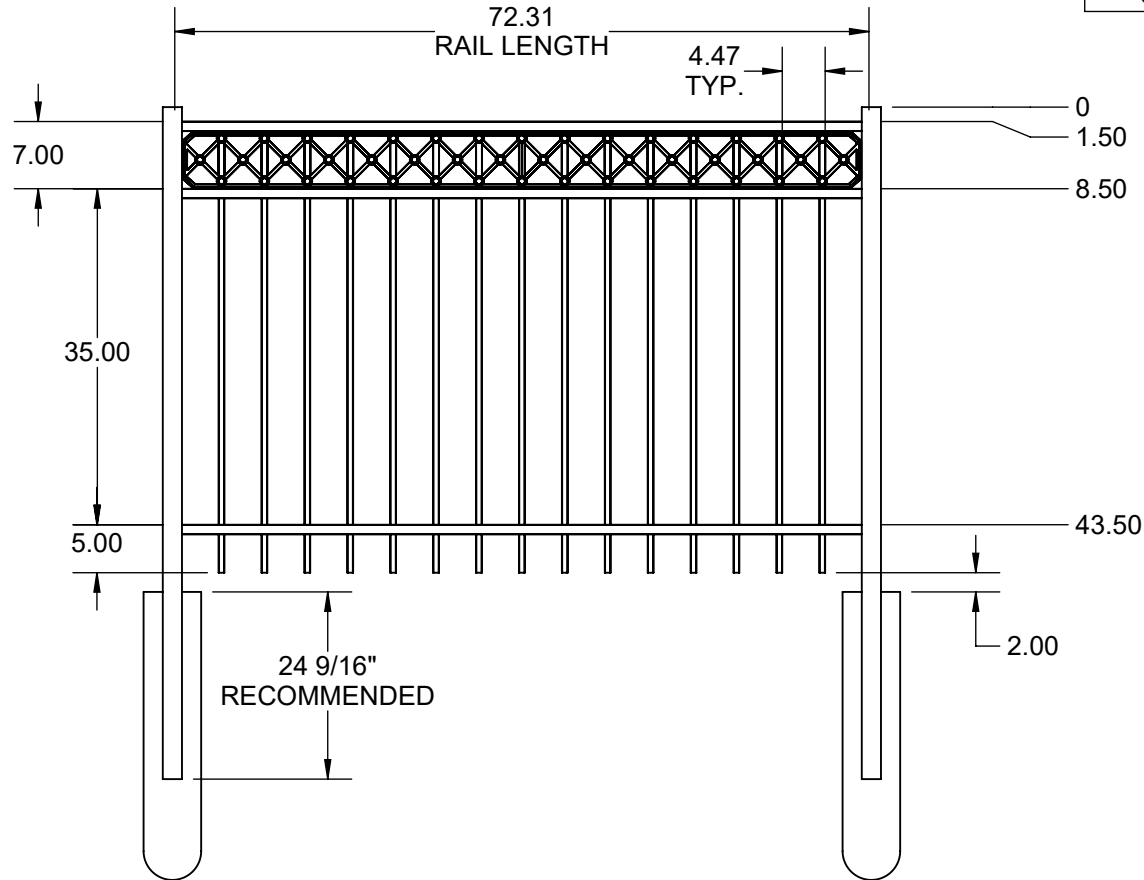


NOTE:

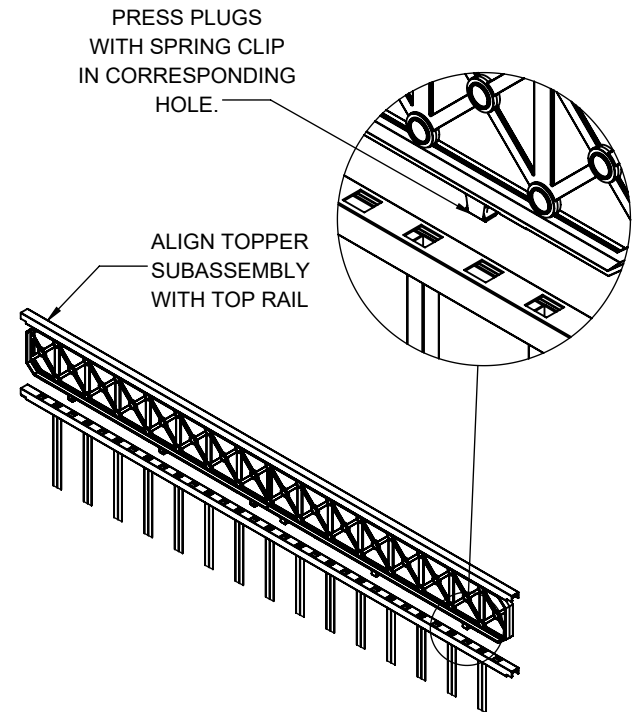
1. POSTS SHOWN IN VIEW ARE FOR REFERENCE ONLY.
2. BUILD PANEL ACCORDING TO BOM.

4X6 DEC FLAT TOP FENCE BLK



BLACK

ITEM NO.	DESCRIPTION	QTY
1	RES FENCE-RAIL 15HOL 72.3 BK	1
2	CORIGIN BUMP STRIP #3-2.235"CTC	4
3	RES FENCE-RAIL 31HOL72.3 BLK	1
4	7X72.3 DECO ALUM FENCE TOPPER	1
5	5/8X39.813X045 AL-TUB 5' DECO FT BK	15



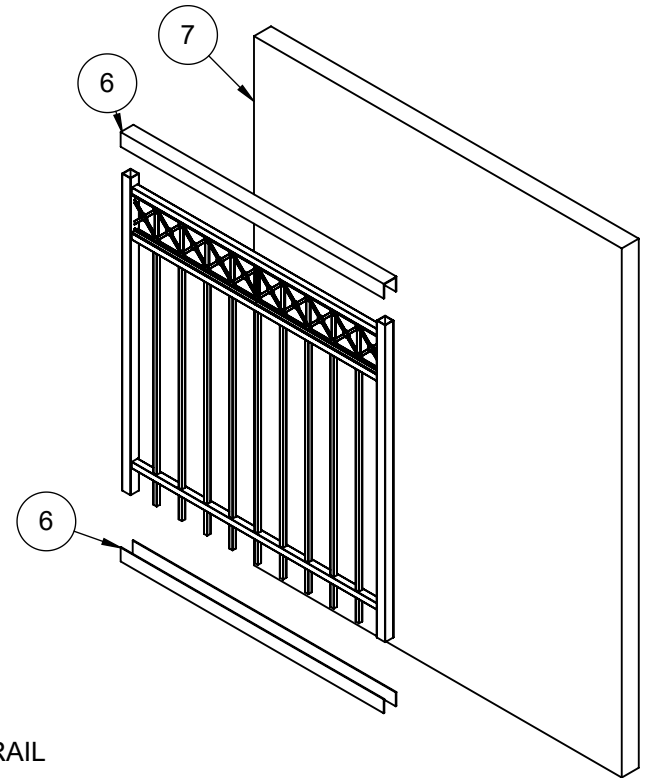
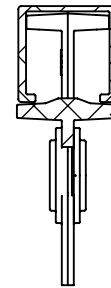
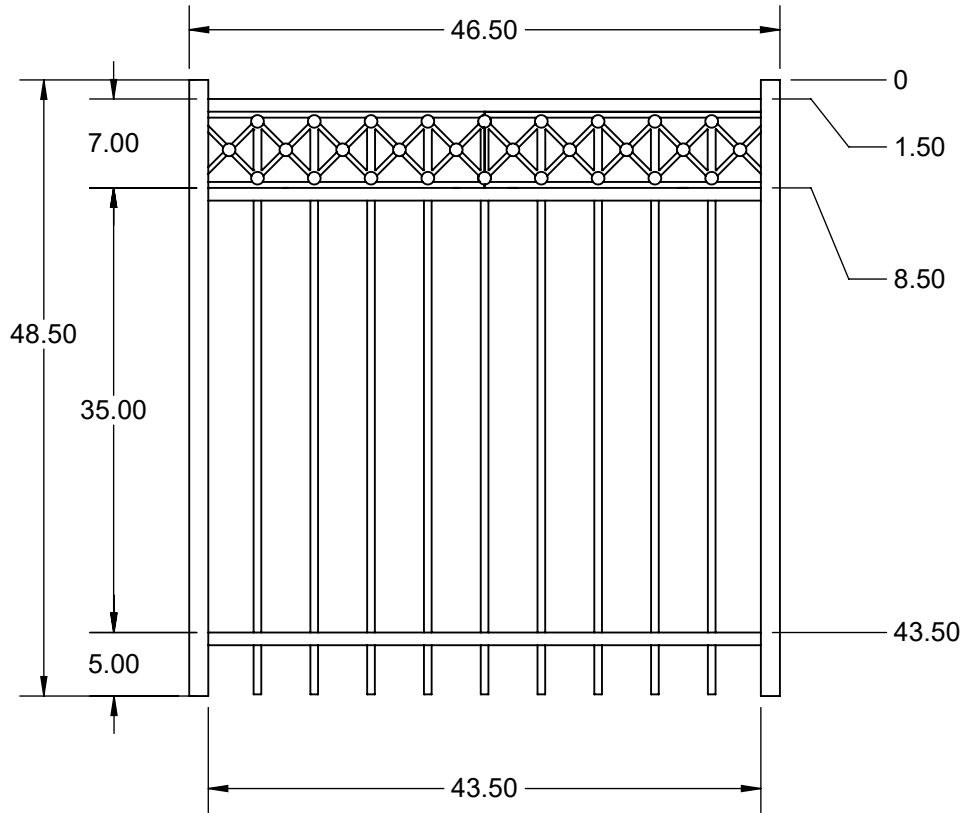
THE INFORMATION CONTAINED IN THIS DRAWING IS PROTECTED BY COPYRIGHT AND PATENT LAWS OF THE UNITED STATES AND OTHER COUNTRIES. ANY REPRODUCTION IN PART OR AS A WHOLE WITHOUT WRITTEN PERMISSION IS PROHIBITED.

Notes:

1. Spacing: 4.47 In.
2. Snap 2 Deco Panels in Punched Holes in Mid Rail
3. Do **NOT** Weld Decorative Panels

ITEM NO.	DESCRIPTION	QTY
1	1.5x48.5x09 AL-TUB MF	2
2	RES G8 RAIL NHOL 4'W STRT 43.5	1
3	RES GATE RAIL 9HOL 4'W STRT 43.5	1
4	5/8" PICKET 39.8125"	9
5	RES GATE RAIL 19HOL 4'W STRT 43.5	1
6	UBOARD 1.75X2.125X46.5	2
7	65 x 81 x 4 mil, Wht Opq w/12 mth UVI	1
8	7.8X21.75 4' DECO GATE PANEL - 2 PACK	1

4X4 DEC FLAT TOP STR8 GATE BLK



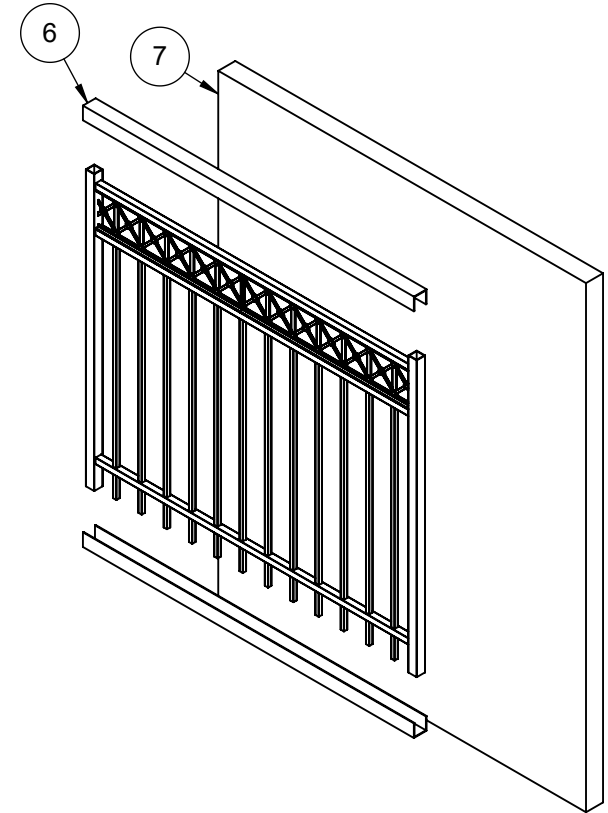
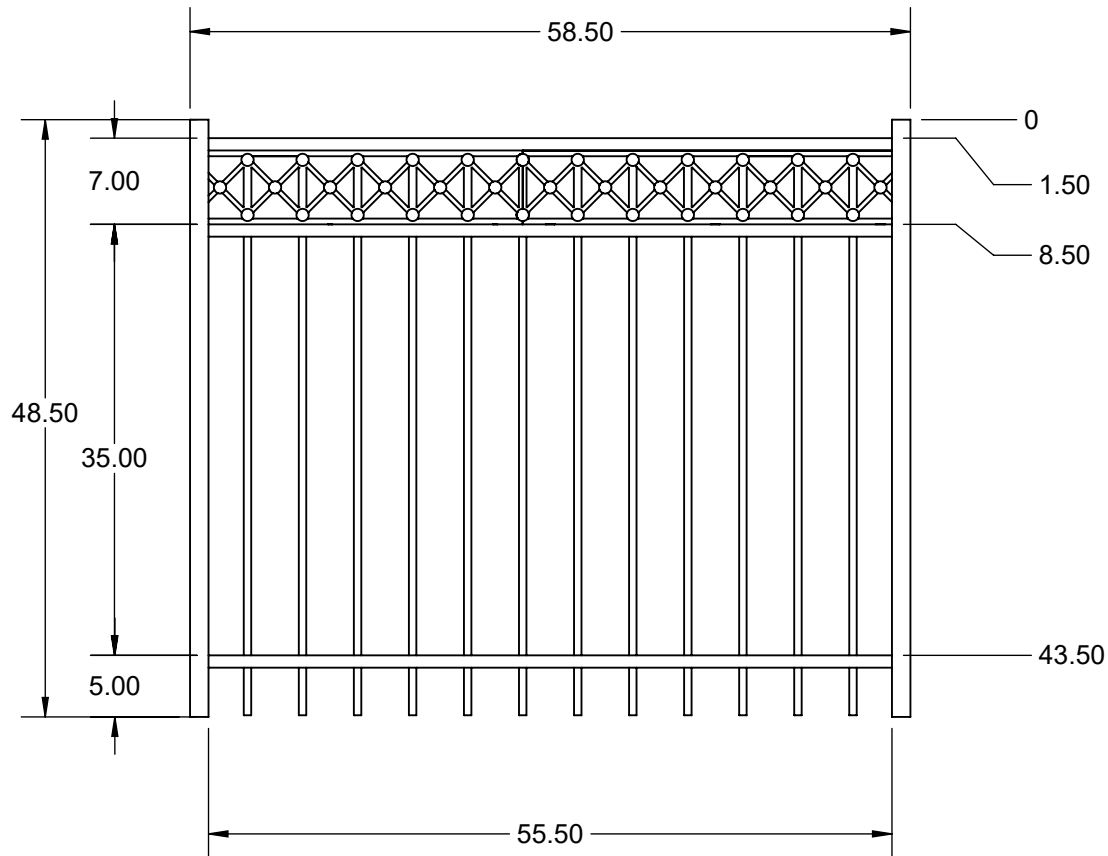
THE INFORMATION CONTAINED IN THIS DRAWING IS PROTECTED BY COPYRIGHT AND PATENT LAWS OF THE UNITED STATES AND OTHER COUNTRIES. ANY REPRODUCTION IN PART OR AS A WHOLE WITHOUT WRITTEN PERMISSION IS PROHIBITED.

Notes:

1. Spacing: 4.47 In.
2. Snap 2 Deco Panels in Punched Holes in Mid Rail
3. Do **NOT** Weld Decorative Panels to Gate

4X5 DEC FLAT TOP STR8 GATE BLK

ITEM NO.	DESCRIPTION	QTY
1	1.5x48.5x09 AL-TUB MF	2
2	RES G8 RAIL NHOL 5'W STRT 55.5	1
3	RES GATE RAIL 12HOL 5'W STRT 55.5	1
4	5/8" PICKET 39.8125"	12
5	RES G8 RAIL 25HOL 5' STRT EPN-0477 55.5	1
6	UBOARD 1.75X2.125X58.5	2
7	65 x 81 x 4 mil, Wht Opq w/12 mth UVI	1
8	7.8X29.985 5' DECO GATE PANEL - 2 PACK	1

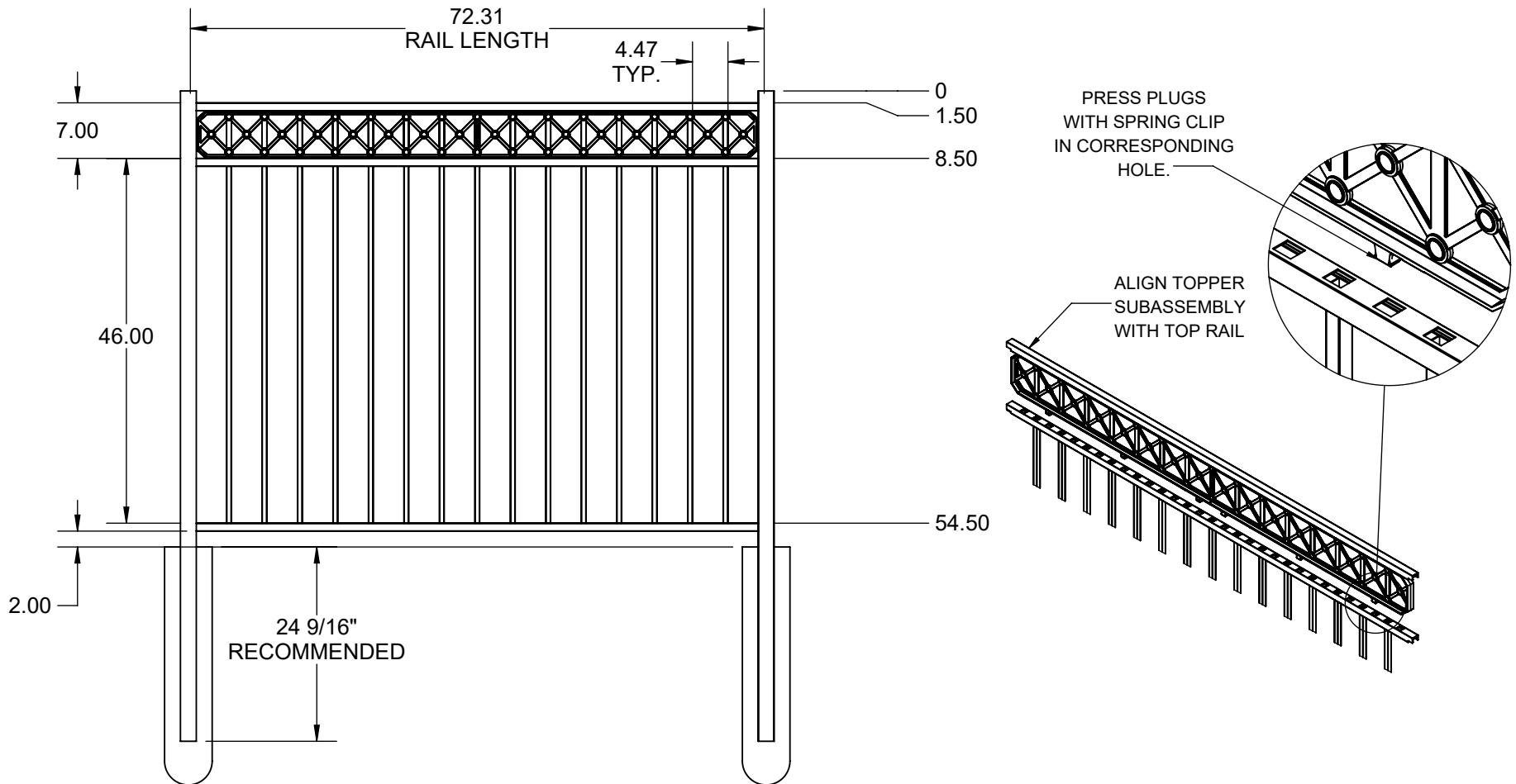


NOTE:

1. POSTS SHOWN IN VIEW ARE FOR REFERENCE ONLY.
2. BUILD PANEL ACCORDING TO BOM.

54X6 DEC FLAT TOP FENCE BLK

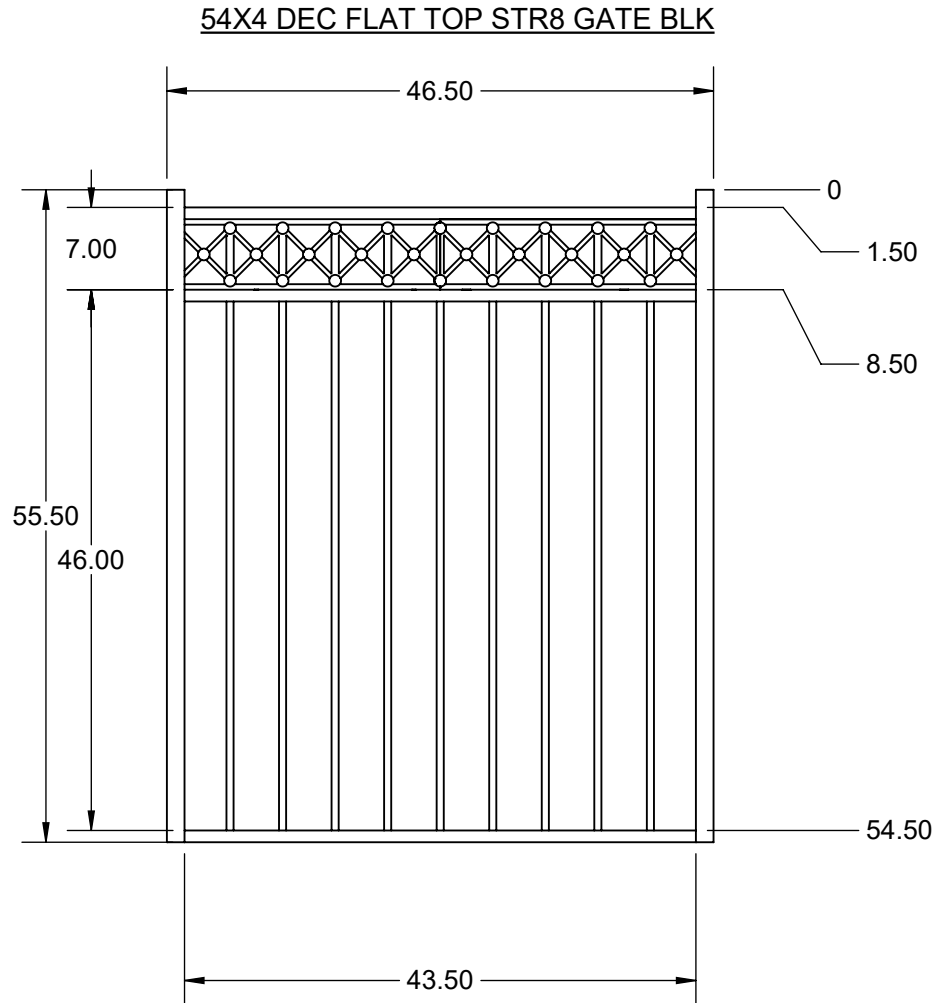
ITEM NO.	DESCRIPTION	QTY.
1	RES FENCE-RAIL 15HOL 72.3 BK	1
2	5/8X46.75X045 AL-TUB 5' DECO FT BK	15
3	CORIGIN BUMP STRIP #3-2.235"CTC	4
4	RES FENCE-RAIL 31HOL72.3 BLK	1
5	7X72.3 DECO ALUM FENCE TOPPER	1



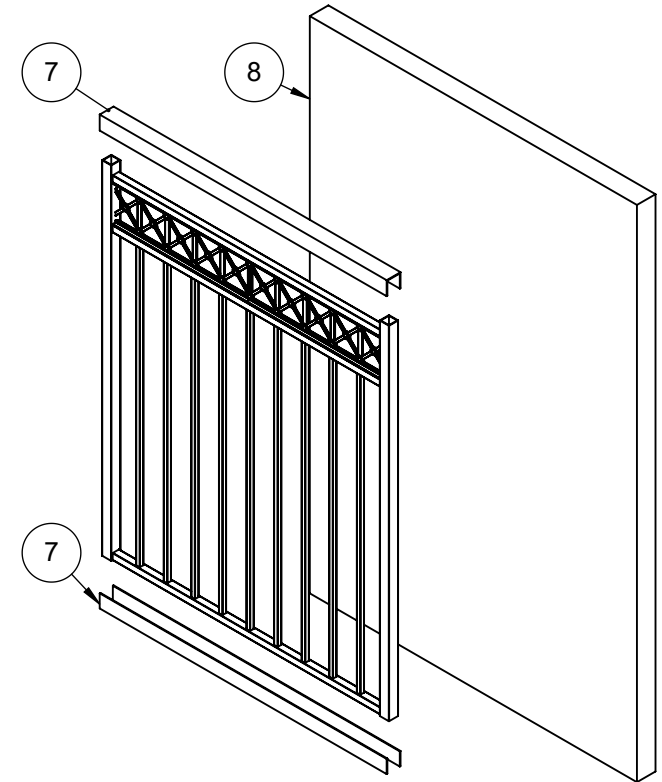
THE INFORMATION CONTAINED IN THIS DRAWING IS PROTECTED BY COPYRIGHT AND PATENT LAWS OF THE UNITED STATES AND OTHER COUNTRIES. ANY REPRODUCTION IN PART OR AS A WHOLE WITHOUT WRITTEN PERMISSION IS PROHIBITED.

Notes:

1. Spacing: 4.47 In.
2. Snap 2 Deco Panels in Punched Hole in Mid Rail
3. No **NOT** Weld Decorative Panels to Gate



ITEM NO.	DESCRIPTION	QTY
1	1.5x55.5x09 AL-TUB MF	2
2	RES G8 RAIL NHOL 4'W STRT 43.5	1
3	RES GATE RAIL 9HOL 4'W STRT 43.5	1
4	(EPN-0663) .615"X.615"X46.75" EXTR	9
5	RES G8 RAIL 19HOL 4' STRT EPN-0477 43.5	1
6	7.8X21.75 ALUM DECO INSERT	2
7	UBOARD 1.75X2.125X46.5	2
8	53 x 81 x 4 mil, Wht Opq w/12 mth UVI	1



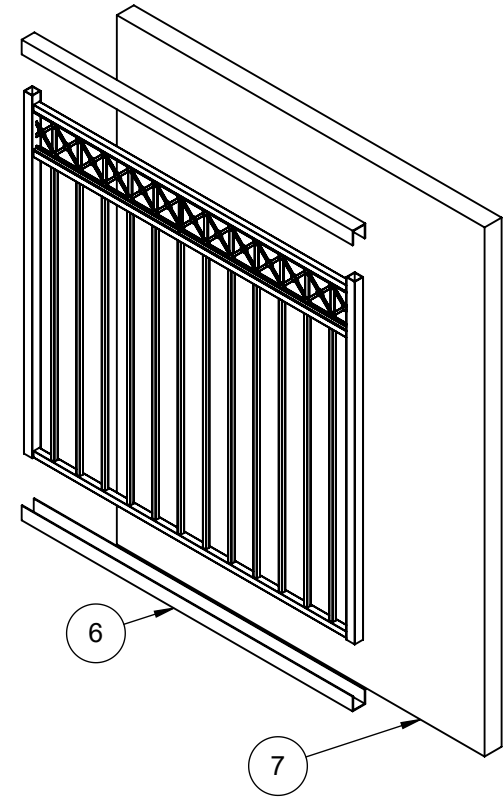
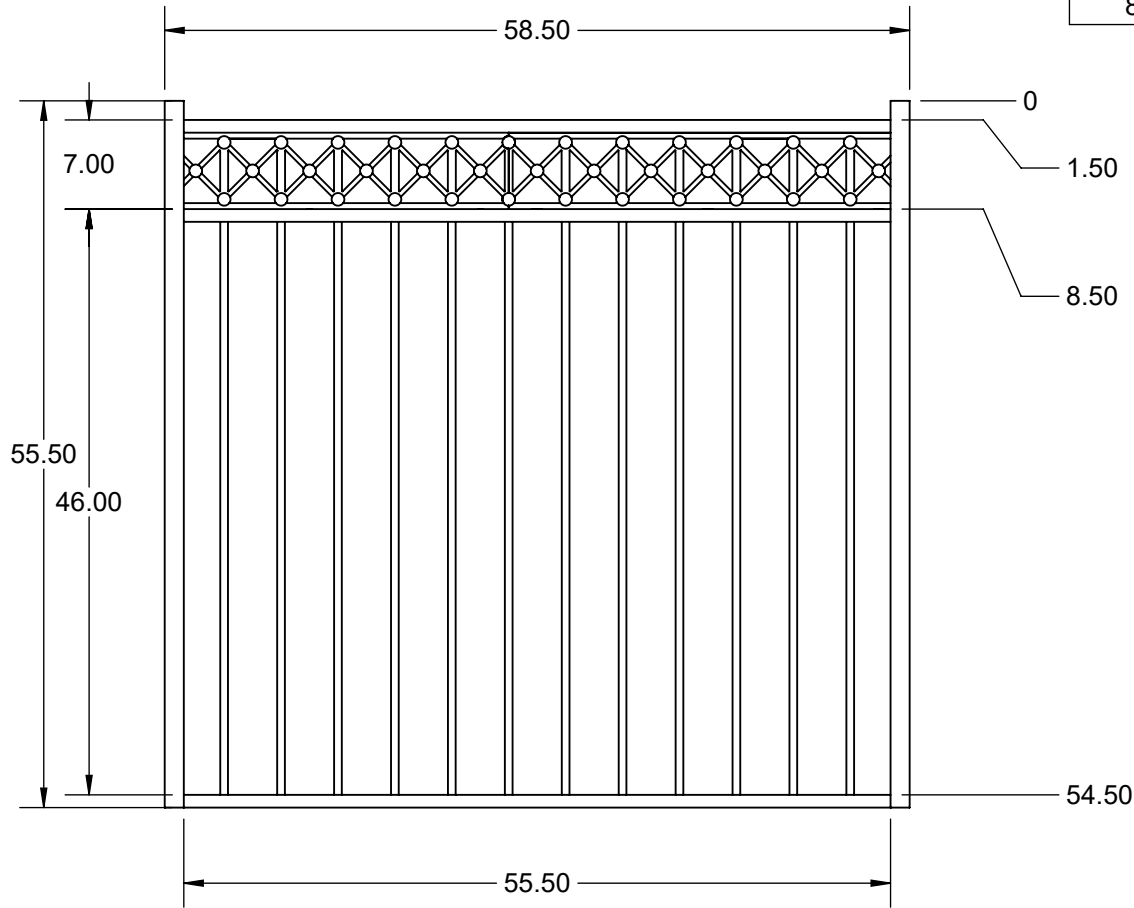
THE INFORMATION CONTAINED IN THIS DRAWING IS PROTECTED BY COPYRIGHT AND PATENT LAWS OF THE UNITED STATES AND OTHER COUNTRIES. ANY REPRODUCTION IN PART OR AS A WHOLE WITHOUT WRITTEN PERMISSION IS PROHIBITED.

Notes:

1. Spacing: 4.47 In.
2. Snap 2 Deco Panels in Punched Holes in Mid Rail
3. Do **NOT** Weld Decorative Panels to Gate

ITEM NO.	DESCRIPTION	QTY
1	1.5x55.5x09 AL-TUB MF	2
2	RES G8 RAIL NHOL 5"W STRT 55.5	1
3	RES GATE RAIL 12HOL 5"W STRT 55.5	1
4	(EPN-0663) .615"X.615"X46.75" EXTR	12
5	RES G8 RAIL 25HOL 5' STRT EPN-0477 55.5	1
6	UBOARD 1.75X2.125X58.5	2
7	65 x 81 x 4 mil, Wht Opq w/12 mth UVI	1
8	7.8X29.985 5' DECO GATE PANEL - 2 PACK	1

54X5 DEC FLAT TOP STR8 GATE BLK

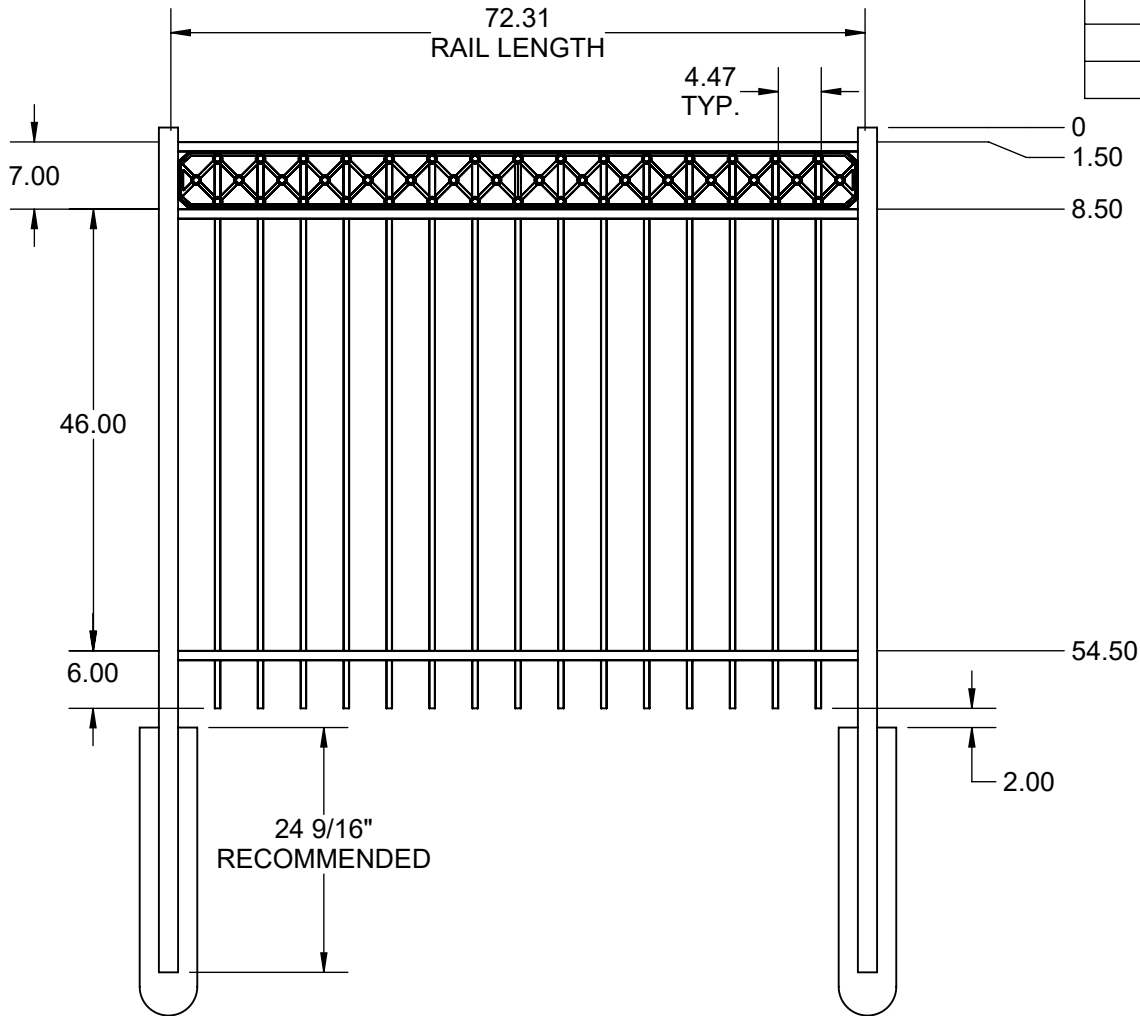


THE INFORMATION CONTAINED IN THIS DRAWING IS PROTECTED BY COPYRIGHT AND PATENT LAWS OF THE UNITED STATES AND OTHER COUNTRIES. ANY REPRODUCTION IN PART OR AS A WHOLE WITHOUT WRITTEN PERMISSION IS PROHIBITED.

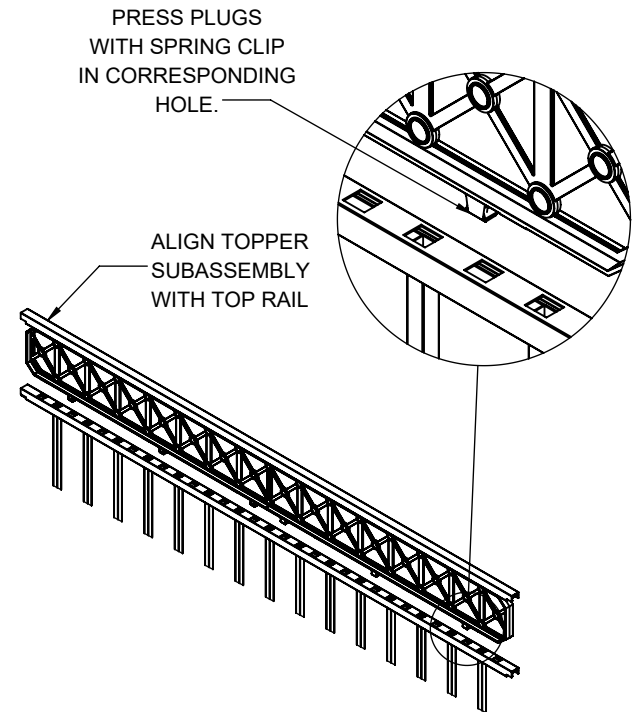
NOTE:

1. POSTS SHOWN IN VIEW ARE FOR REFERENCE ONLY.
2. BUILD PANEL ACCORDING TO BOM.

5X6 DEC FLAT TOP FENCE BLK



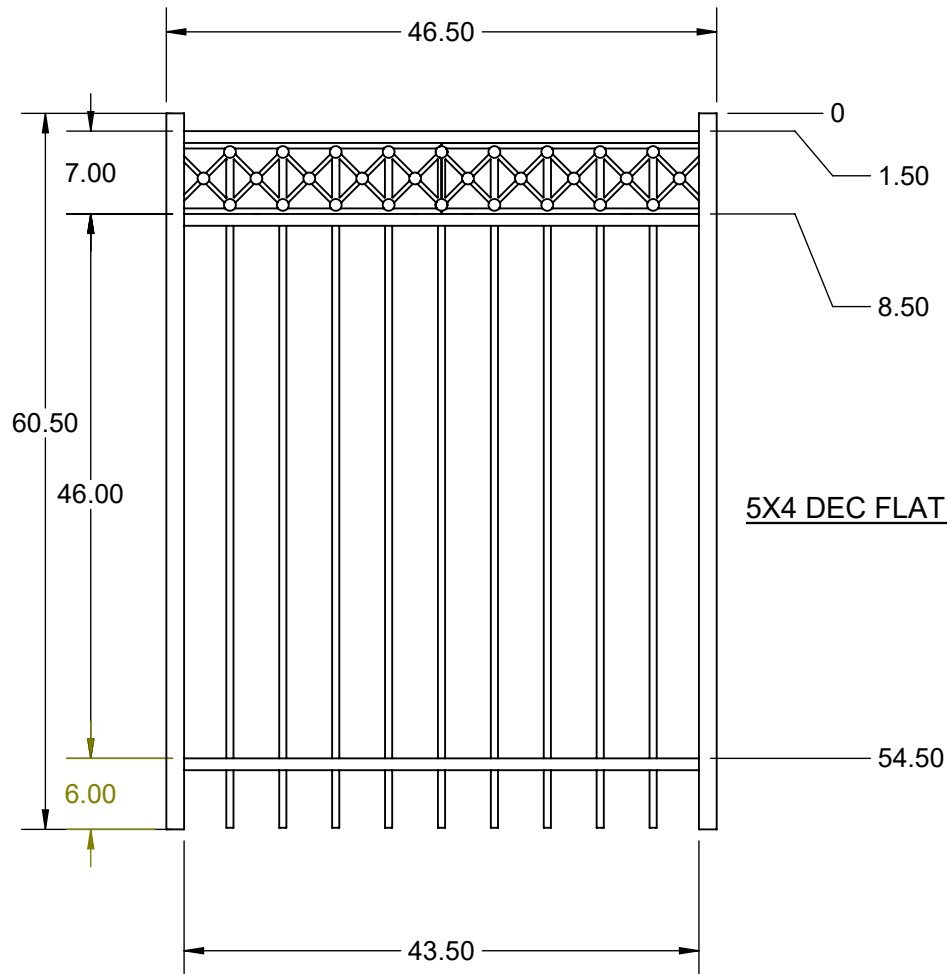
ITEM NO.	DESCRIPTION	QTY
1	RES FENCE-RAIL 15HOL 72.3 BK	1
2	CORIGIN BUMP STRIP #3-2.235"CTC	4
3	RES FENCE-RAIL 31HOL72.3 BLK	1
4	7X72.3 DECO ALUM FENCE TOPPER	1
5	5/8X51.813X045 AL-TUB 5' DECO FT BK	15



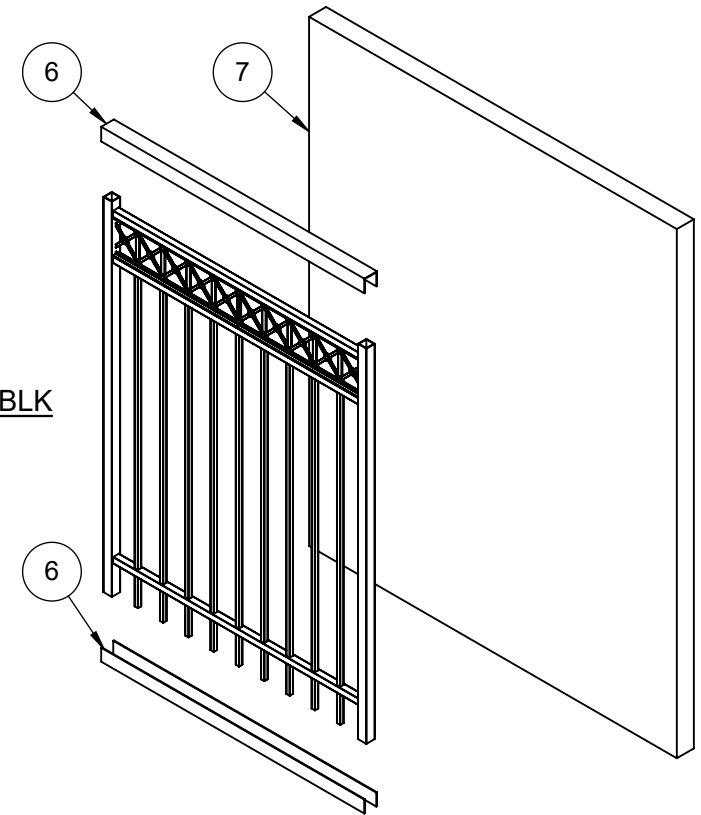
THE INFORMATION CONTAINED IN THIS DRAWING IS PROTECTED BY COPYRIGHT AND PATENT LAWS OF THE UNITED STATES AND OTHER COUNTRIES. ANY REPRODUCTION IN PART OR AS A WHOLE WITHOUT WRITTEN PERMISSION IS PROHIBITED.

Notes:

1. Spacing: 4.47 In.
2. Snap 2 Deco Panels in Punched Hole in Mid Rail
3. Do **NOT** Weld Decorative Panels to Gate



ITEM NO.	DESCRIPTION	QTY
1	1.5x60.5x09 AL-TUB MF	2
2	RES G8 RAIL NHOL 4'W STRT 43.5	1
3	RES GATE RAIL 9HOL 4'W STRT 43.5	1
4	5/8" PICKET 51.8125"	9
5	RES G8 RAIL 19HOL 4' STRT EPN-0477 43.5	1
6	UBOARD 1.75X2.125X46.5	2
7	65 x 81 x 4 mil, Wht Opq w/12 mth UVI	1
8	7.8X21.75 4' DECO GATE PANEL - 2 PACK	1



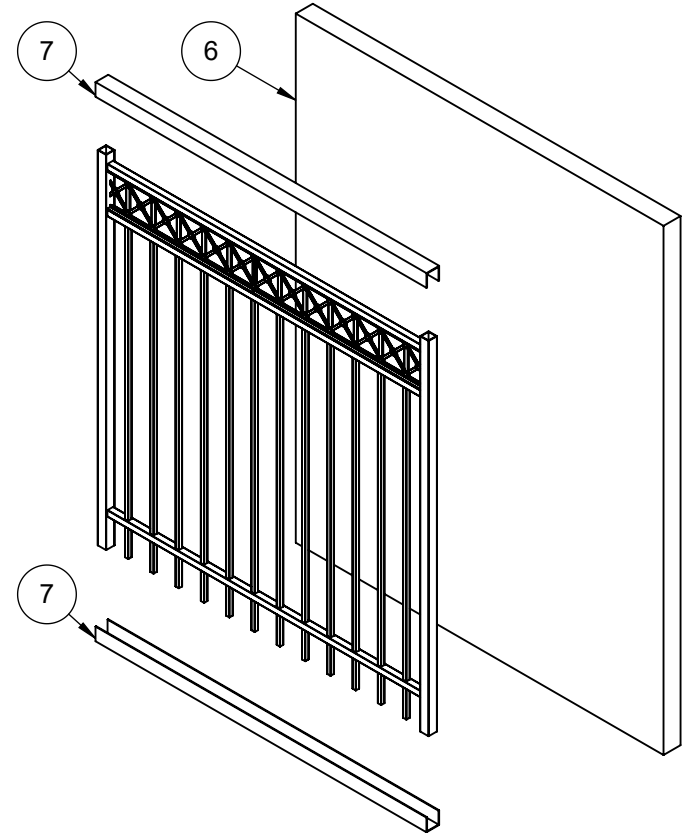
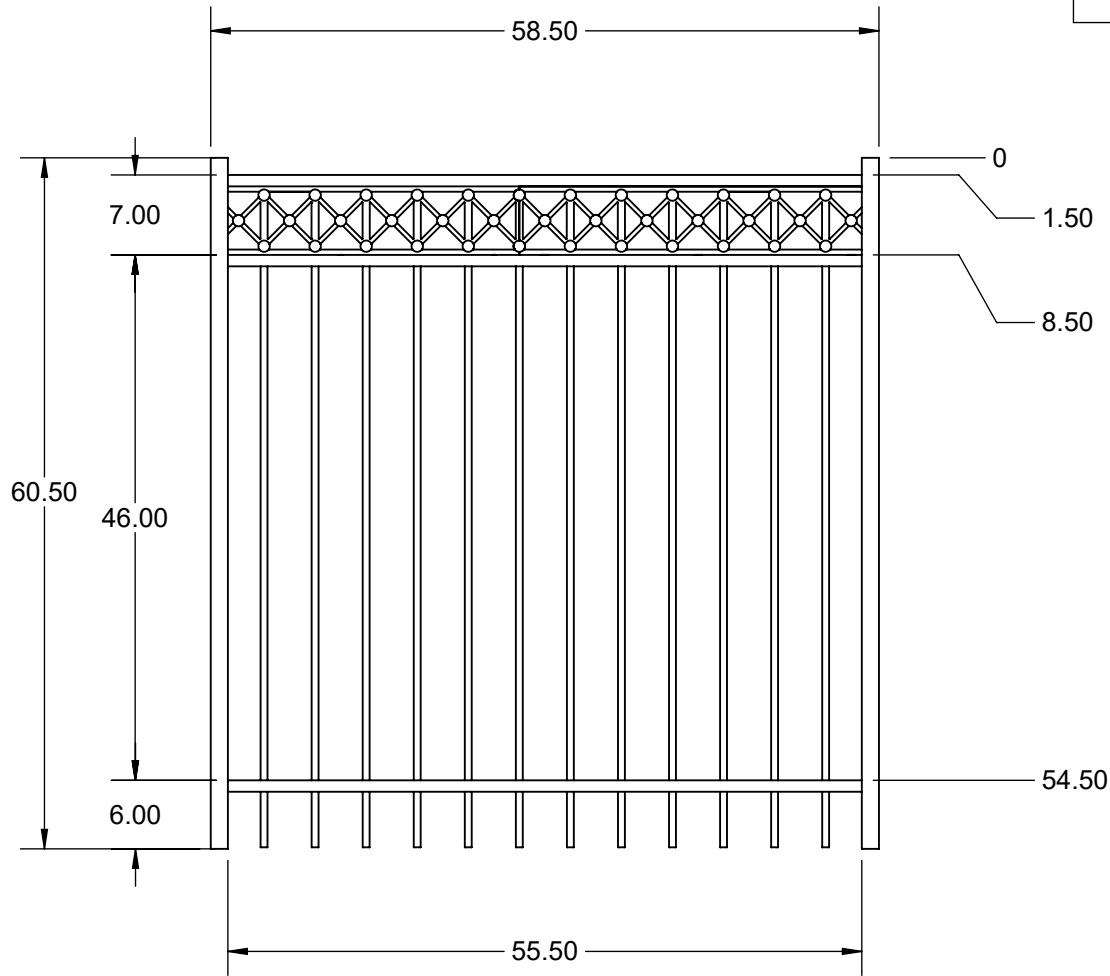
THE INFORMATION CONTAINED IN THIS DRAWING IS PROTECTED BY COPYRIGHT AND PATENT LAWS OF THE UNITED STATES AND OTHER COUNTRIES. ANY REPRODUCTION IN PART OR AS A WHOLE WITHOUT WRITTEN PERMISSION IS PROHIBITED.

Notes:

1. Spacing: 4.47 In.
2. Snap 2 Deco Panels in Punched Holes in Mid Rail
3. Do **NOT** weld Decorative Panels to Gate

ITEM NO.	DESCRIPTION	QTY
1	1.5x60.5x09 AL-TUB MF	2
2	RES G8 RAIL NHOL 5'W STRT 55.5	1
3	RES GATE RAIL 12HOL 5'W STRT 55.5	1
4	5/8" PICKET 51.8125"	12
5	RES G8 RAIL 25HOL 5' STRT EPN-0477 55.5	1
6	65 x 81 x 4 mil, Wht Opq w/12 mth UVI	1
7	UBOARD 1.75X2.125X58.5	2
8	7.8X29.985 5' DECO GATE PANEL - 2 PACK	1

5X5 DEC FLAT TOP STR8 GATE BLK



THE INFORMATION CONTAINED IN THIS DRAWING IS PROTECTED BY COPYRIGHT AND PATENT LAWS OF THE UNITED STATES AND OTHER COUNTRIES. ANY REPRODUCTION IN PART OR AS A WHOLE WITHOUT WRITTEN PERMISSION IS PROHIBITED.