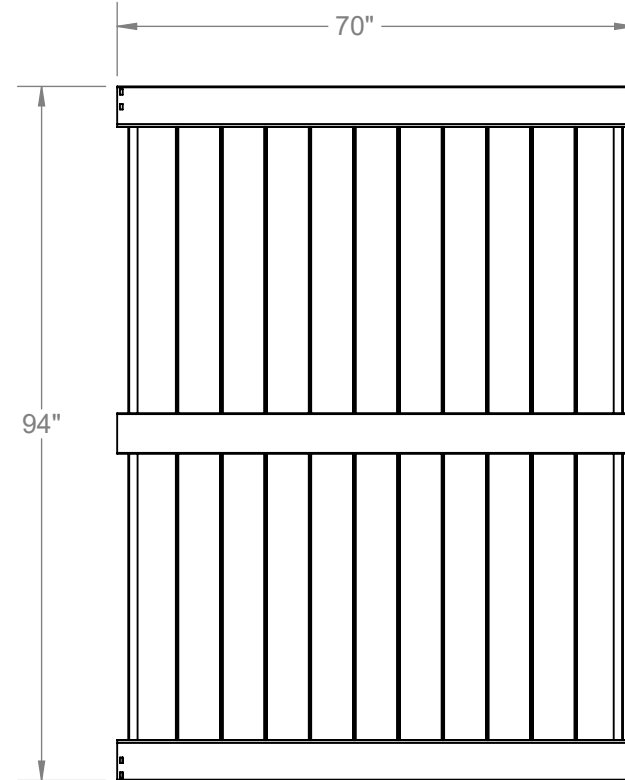
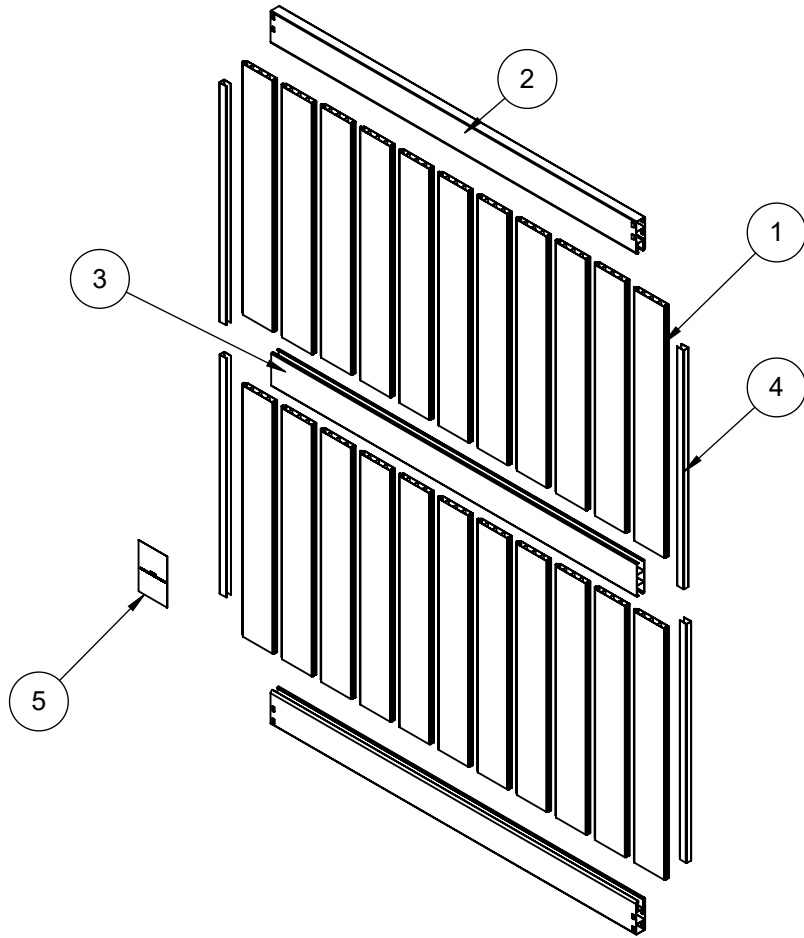
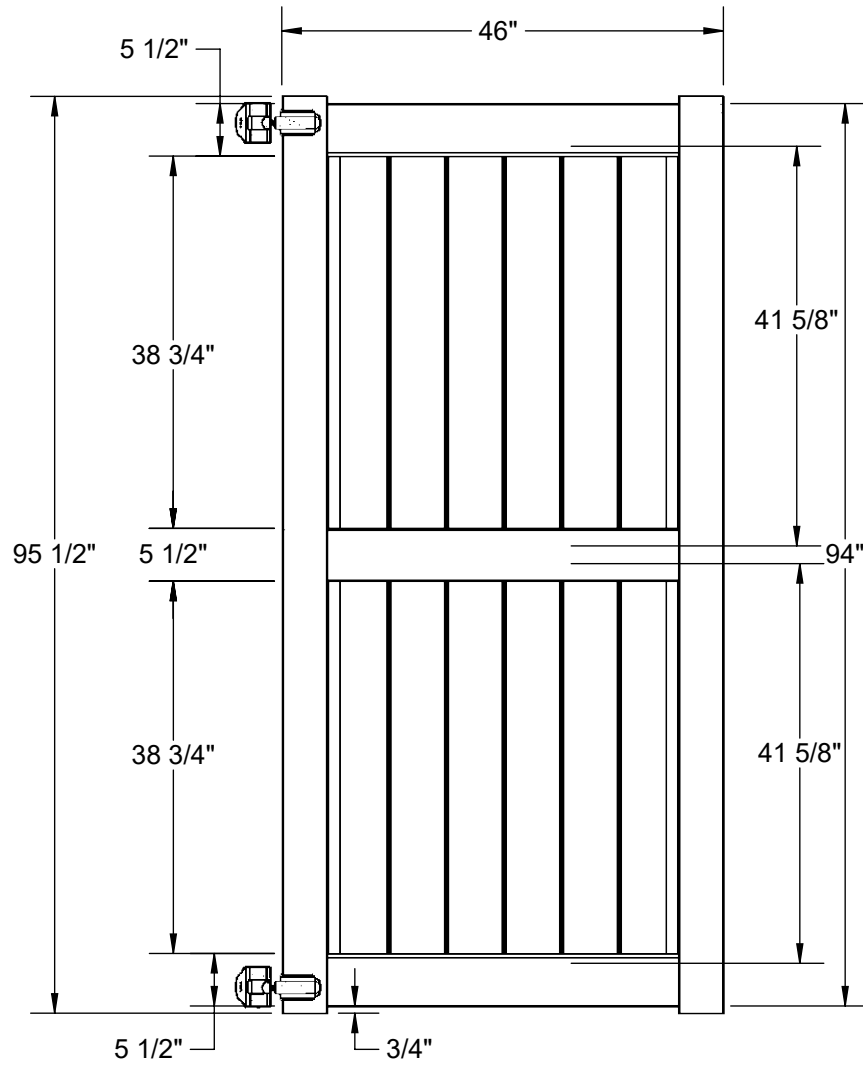


8X6 1.75X5.5 PRIVACY PANEL WHITE

ITEM NO.	DESCRIPTION	QTY
1	.875X6X41.625 W/.035W EXTR T&G	22
2	1.75X5.47X70 W/.055W DECO EXTR WHITE	2
3	1.5X5.5X70.0 DBL SLIT .875 WHITE	1
4	39.625 EXTR U-CHANNEL	4
5	GENERIC INSTR CARD VF/VG - PRO/SO 2020	1

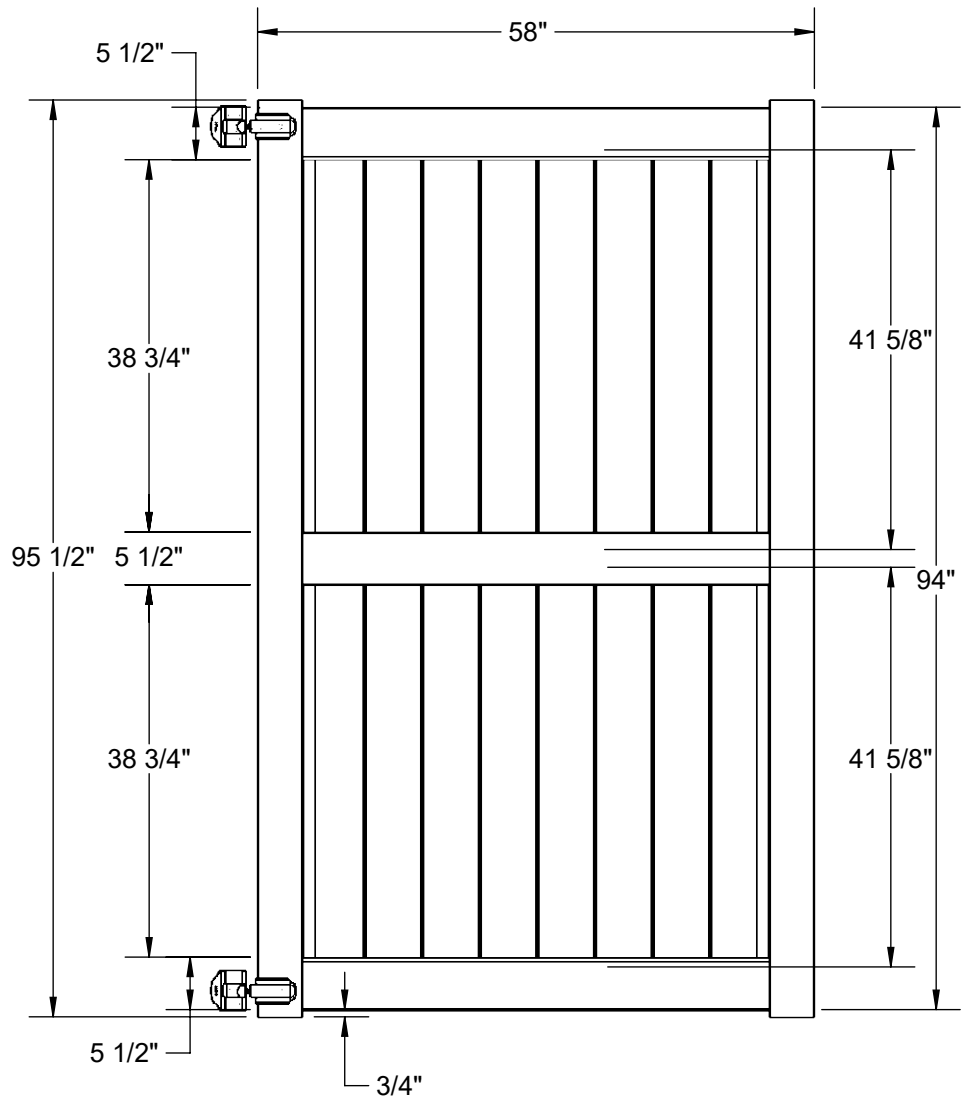




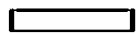
8X46" 1.75X5.5 PRIVACY WALK GATE



THE INFORMATION CONTAINED IN THIS DRAWING IS PROTECTED BY COPYRIGHT AND PATENT LAWS OF THE UNITED STATES AND OTHER COUNTRIES. ANY REPRODUCTION IN PART OR AS A WHOLE WITHOUT WRITTEN PERMISSION IS PROHIBITED.



8X58" 1.75X5.5 PRIVACY WALK GATE  
WHITE (DB)



THE INFORMATION CONTAINED IN THIS DRAWING IS PROTECTED BY COPYRIGHT AND PATENT LAWS OF THE UNITED STATES AND OTHER COUNTRIES. ANY REPRODUCTION IN PART OR AS A WHOLE WITHOUT WRITTEN PERMISSION IS PROHIBITED.