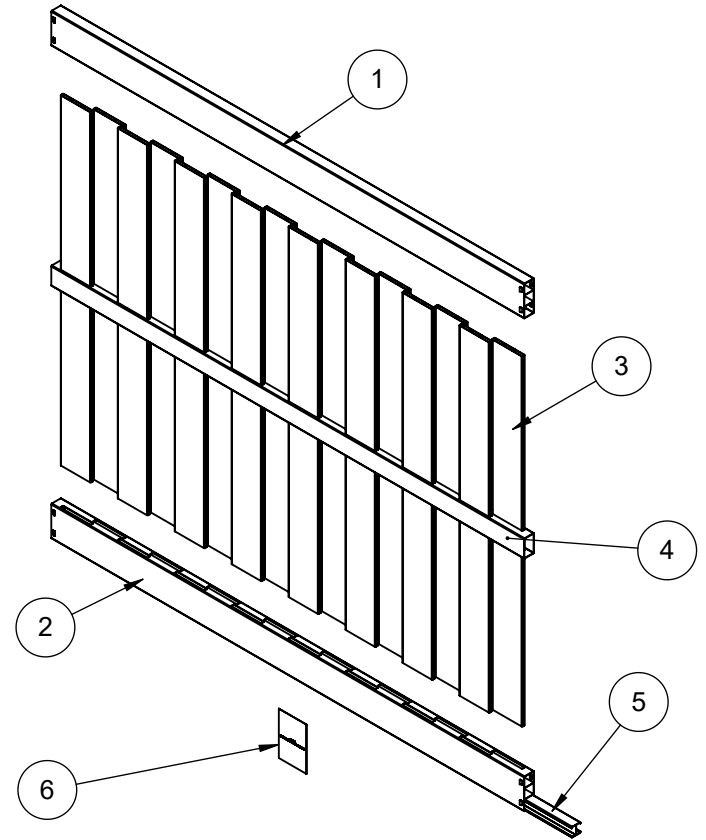
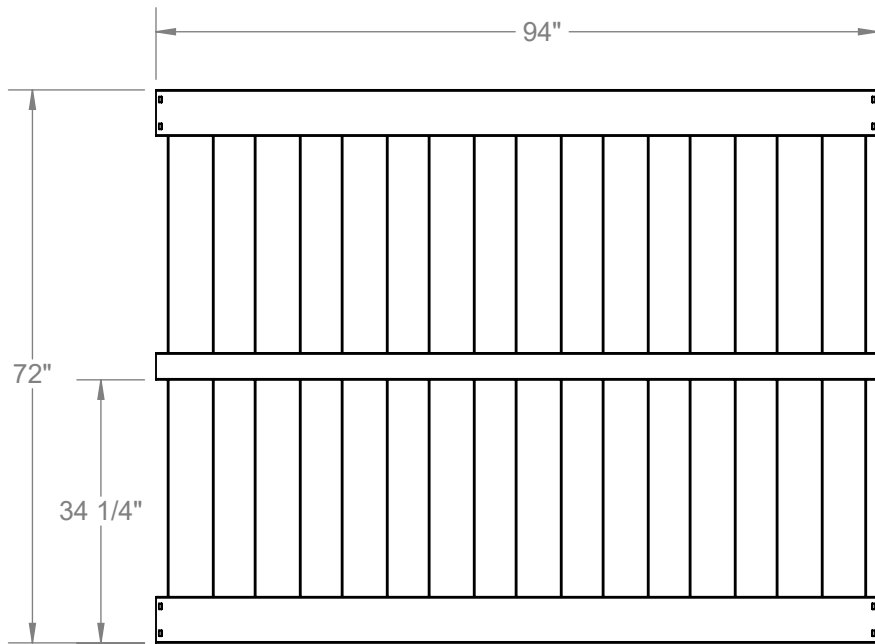


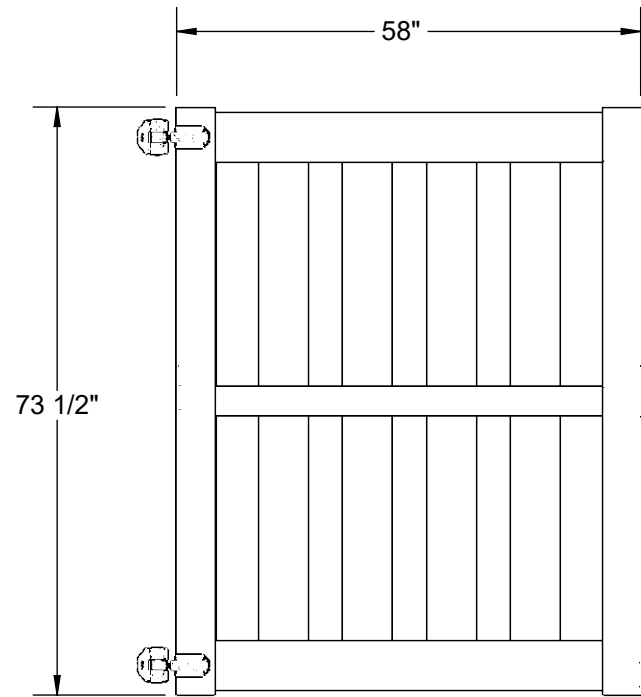
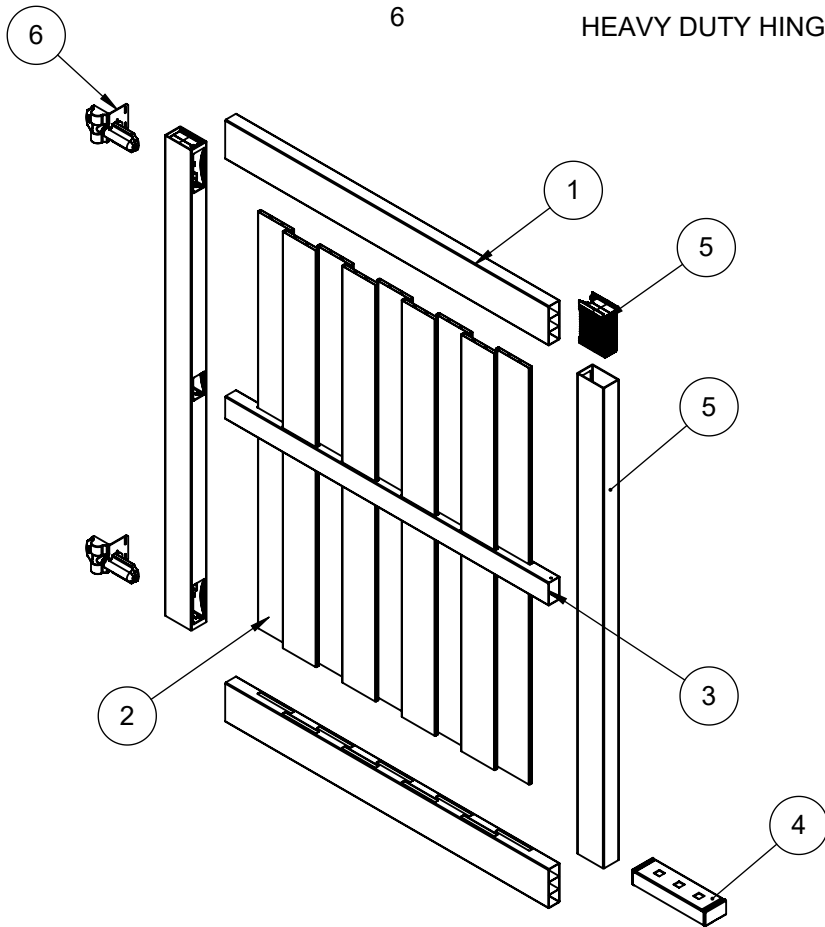
ITEM NO.	DESCRIPTION	QTY
1	2X6X94 SGL RTE .55X6x16 SB TOP WH	1
2	2X6X94 SGL RTE .5X6X16 SB BTM WH	1
3	.550X6x63.75 W/.055 EXTR WHITE	16
4	2X3.5X94 DBL RTE .55X6x16 SB MID WH	1
5	ALUMINUM INSERT 1.77 X 1.85 X 93	1
6	GENERIC INSTR CARD VF/VG - PRO/SO 2020	1



6X8 SHADOWBOX PANEL WHITE (N)

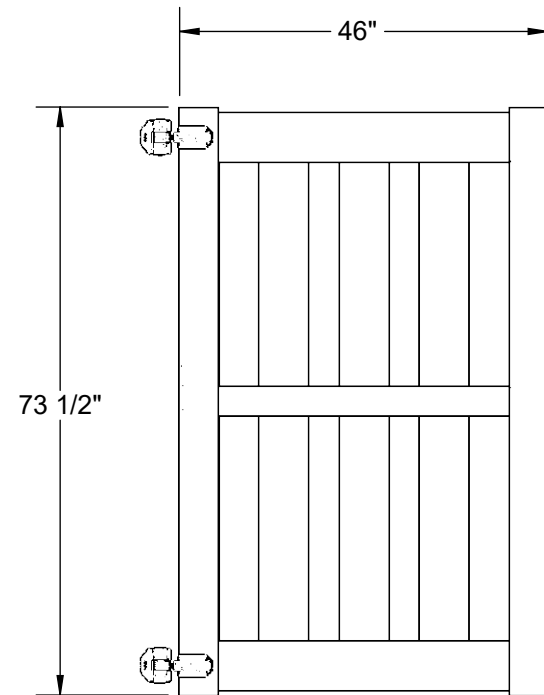
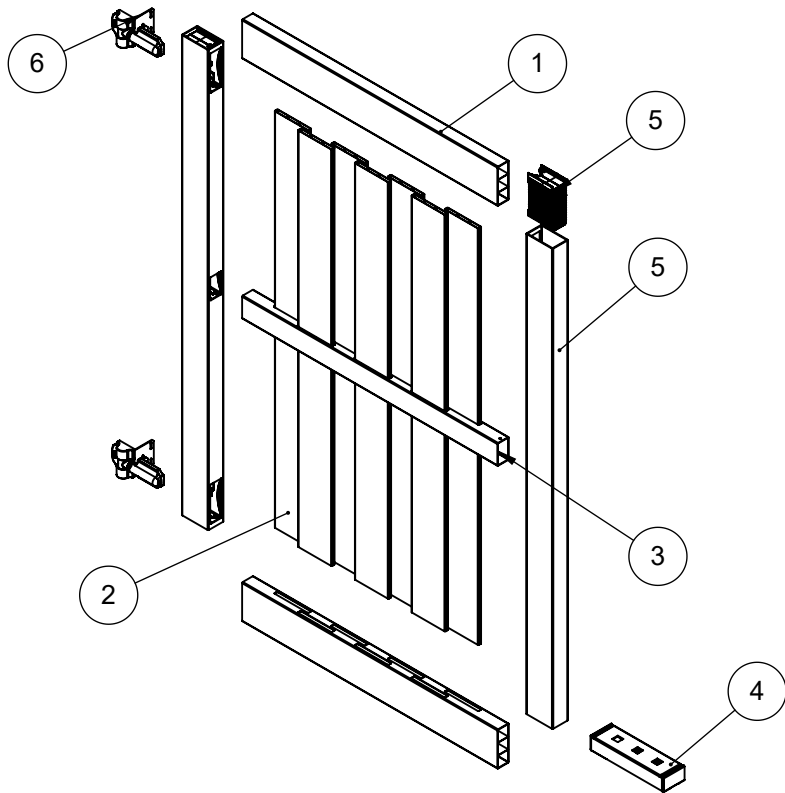
THE INFORMATION CONTAINED IN THIS DRAWING IS PROTECTED BY COPYRIGHT AND PATENT LAWS OF THE UNITED STATES AND OTHER COUNTRIES. ANY REPRODUCTION IN PART OR AS A WHOLE WITHOUT WRITTEN PERMISSION IS PROHIBITED.

ITEM NO.	DESCRIPTION	QTY
1	2X6X57.125 SGL RTE .55X6X9 WHITE	2
2	.550X6x63.75 W/.055 EXTR WHITE	9
3	2X3.5X57.125 DBLRTE .55X6X9 WH	1
4	2.25X3.875X13.25 PRIV GATE HWBOX-WHITE	1
5	2.75X4.70X73.5 2X6X2 W/ CNT RTE W/UPI	2
6	HEAVY DUTY HINGE PAIR BLACK	1

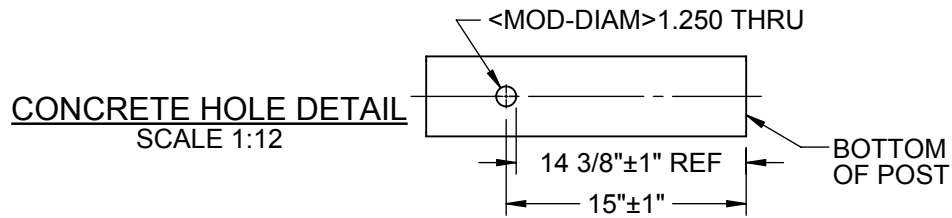
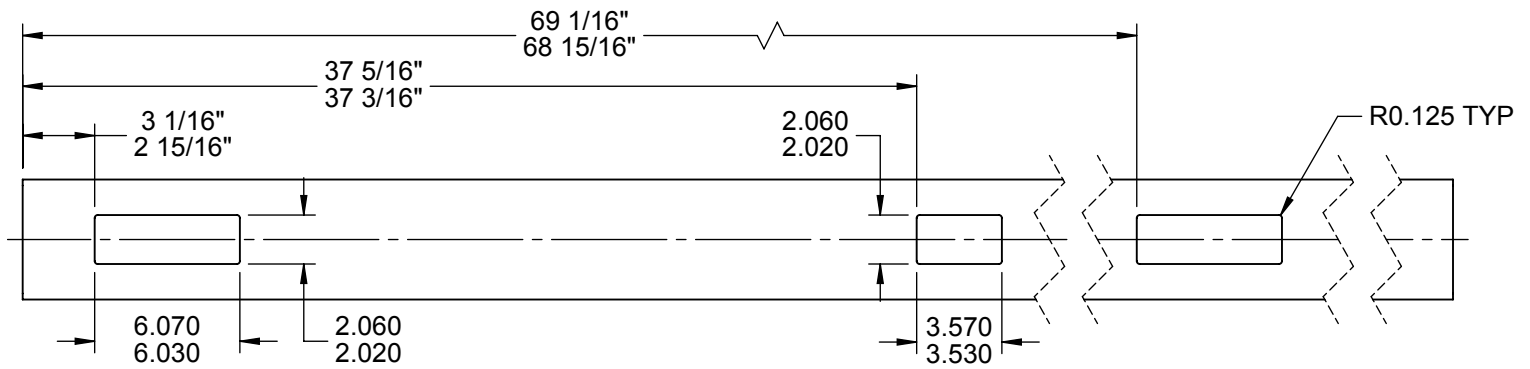


6X58 SHADOWBOX GATE WHITE (N)

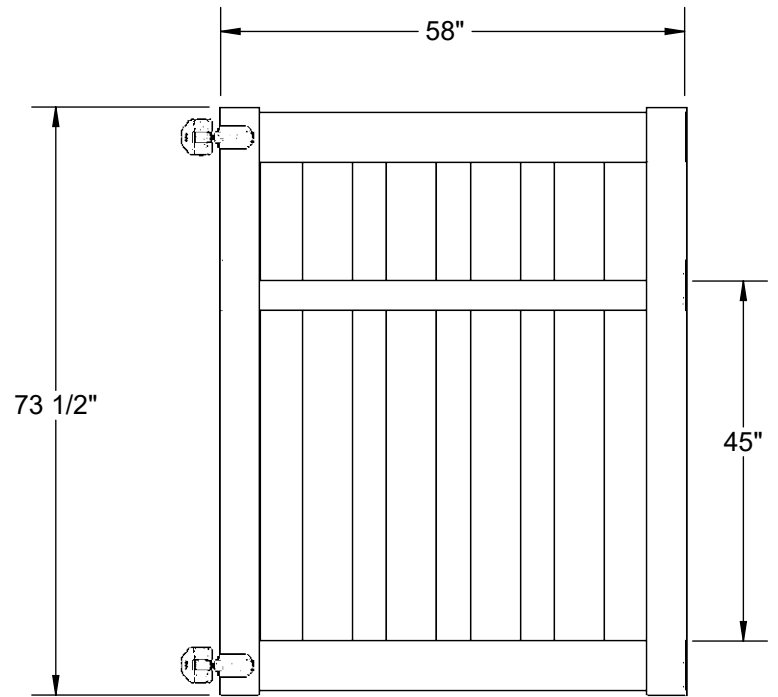
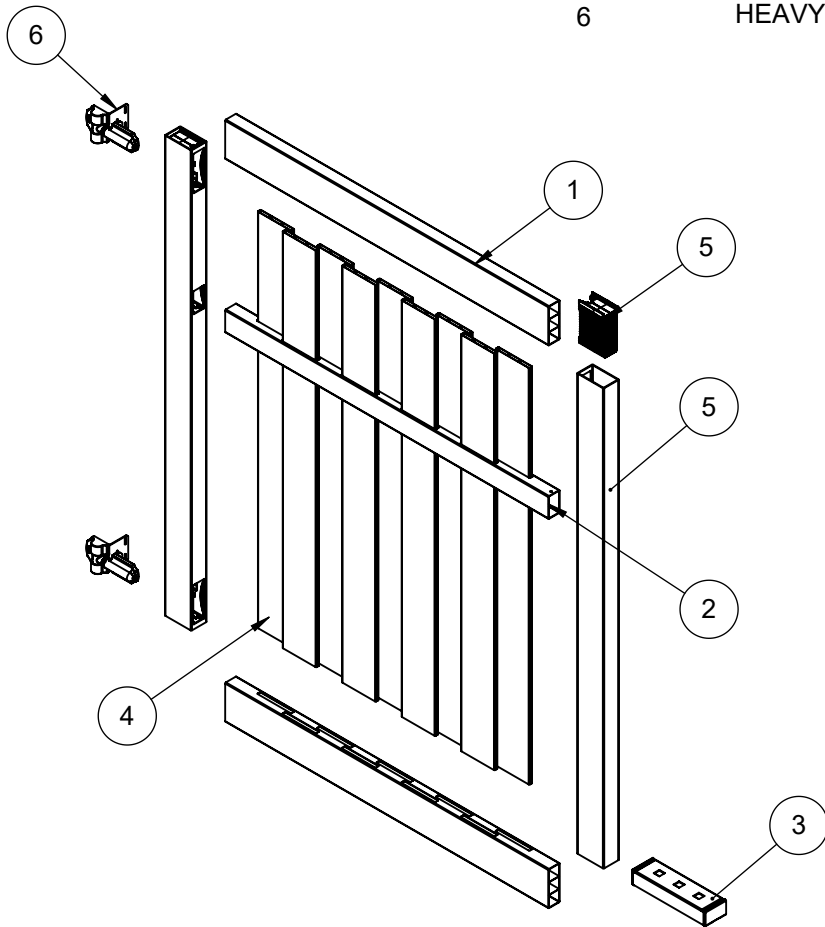
ITEM NO.	DESCRIPTION	QTY
1	2X6X45.125 SGL RTE .55X6X7 WHITE	2
2	.550X6x63.75 W/.055 EXTR WHITE	7
3	~61118798~2X3.5X45.125 DBLRTE .55X6X7 WH	1
4	2.25X3.875X13.25 PRIV GATE HWBOX-WHITE	1
5	2.75X4.70X73.5 2X6X2 W/ CNT RTE W/UPI	2
6	HEAVY DUTY HINGE PAIR BLACK	1



5"x5"x108" Ln Post White (N)

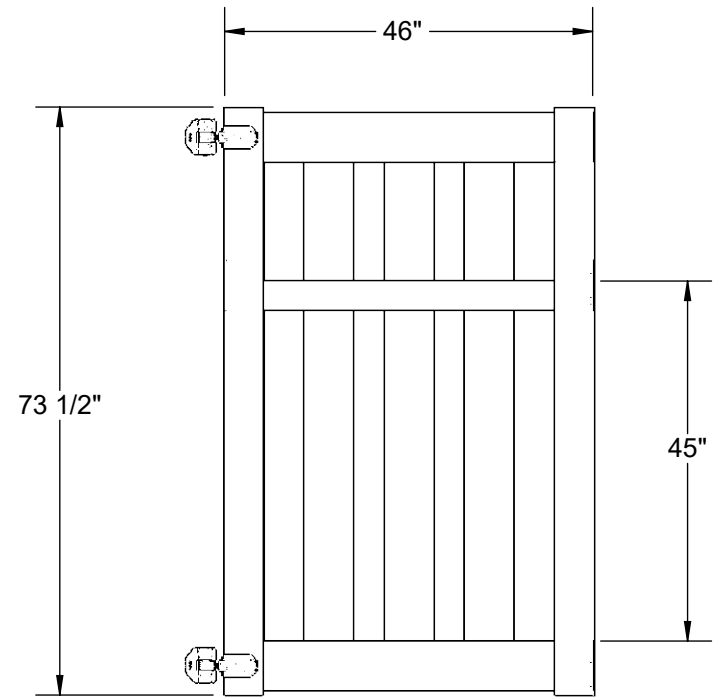
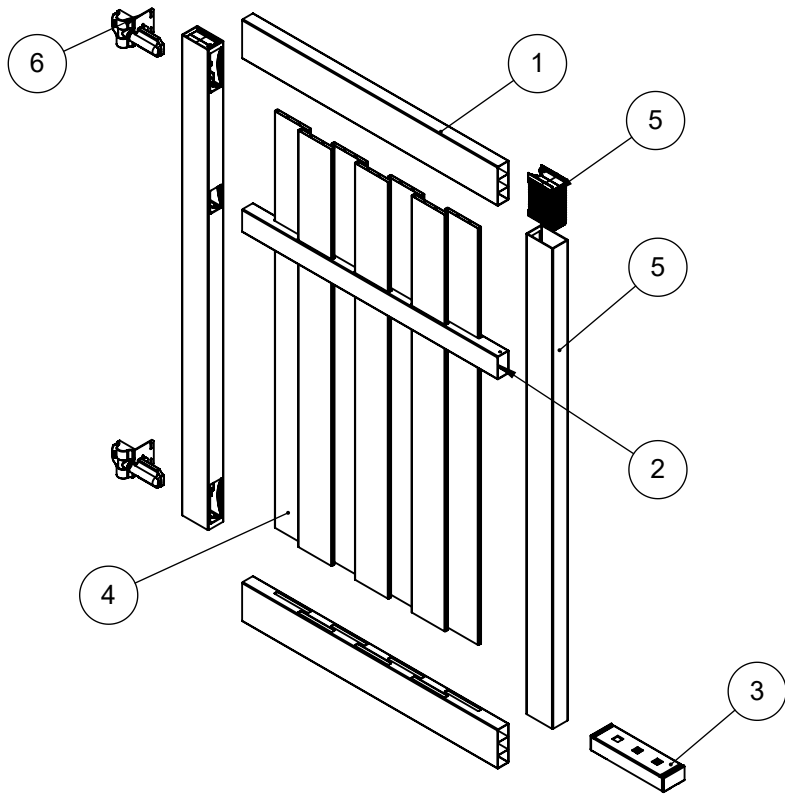


ITEM NO.	DESCRIPTION	QTY.
1	2X6X57.125 SGL RTE .55X6X9 WHITE	2
2	2X3.5X57.125 DBLRTE .55X6X9 WH	1
3	2.25X3.875X13.25 PRIV GATE HWBOX-WHITE	1
4	.550X6x63.75 W/.055 EXTR WHITE	9
5	2.75X4.70X73.5 RTE 2X6 2X3.5 WH W/UPI	2
6	HEAVY DUTY HINGE PAIR BLACK	1



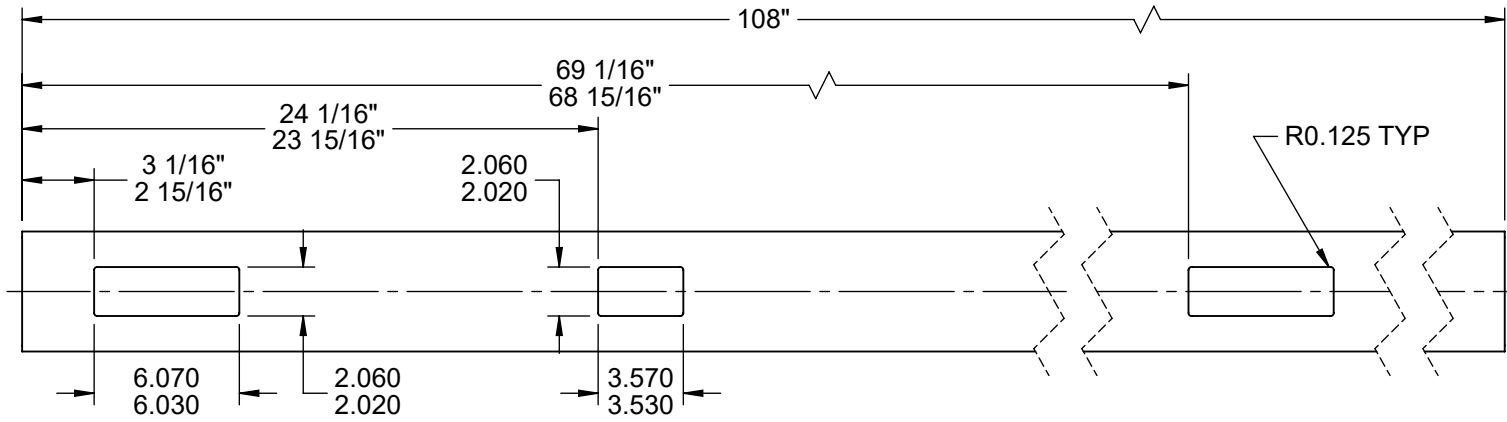
6X58 SBOX POOL CODE GATE WHITE
(CN) 72"H

ITEM NO.	DESCRIPTION	QTY.
1	2X6X45.125 SGL RTE .55X6X7 WHITE	2
2	~61118798~2X3.5X45.125 DBLRTE .55X6X7 WH	1
3	2.25X3.875X13.25 PRIV GATE HWBOX-WHITE	1
4	.550X6x63.75 W/.055 EXTR WHITE	7
5	2.75X4.70X73.5 RTE 2X6 2X3.5 WH W/UPI	2
6	HEAVY DUTY HINGE PAIR BLACK	1



6X46 SBOX POOL CODE GATE WHITE
(CN) 72"H

5X5X108 LINE POST POOL CODE WHITE



CONCRETE HOLE DETAIL
SCALE 1:12

