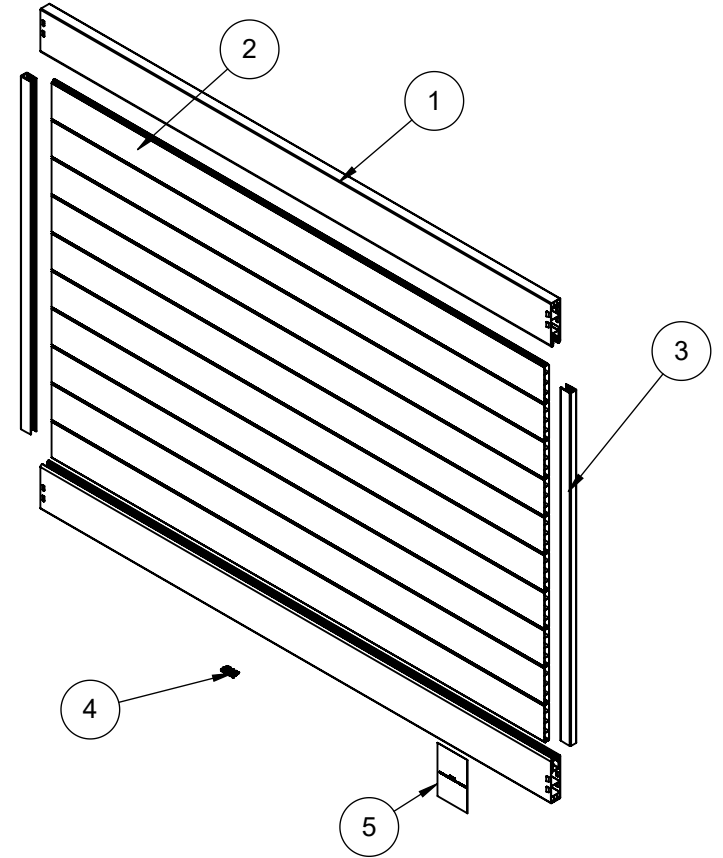
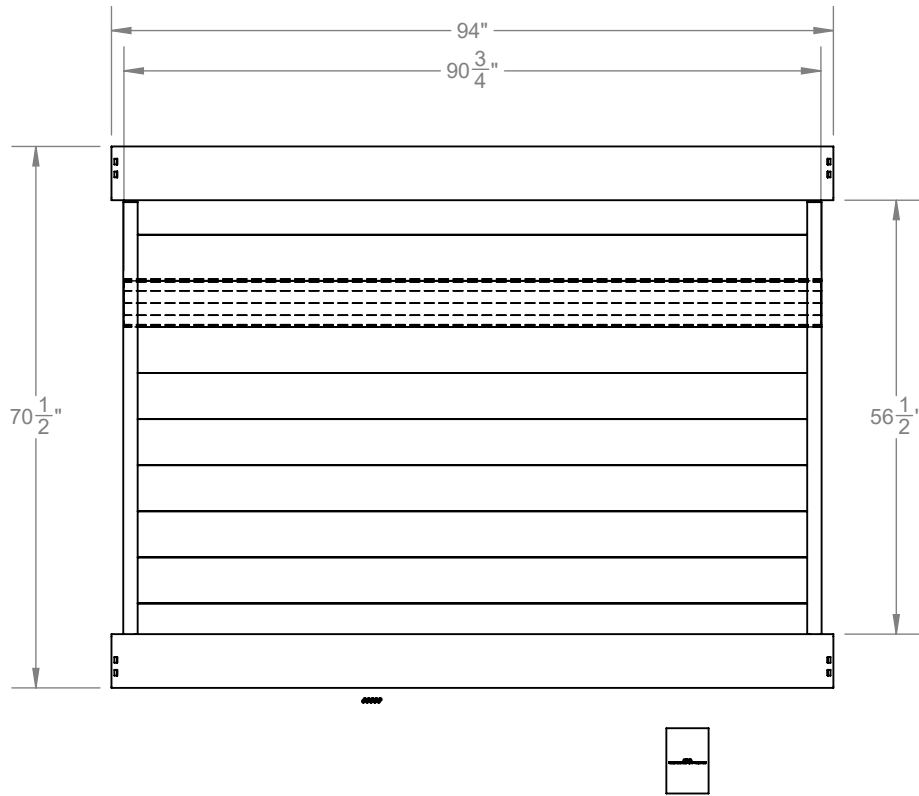


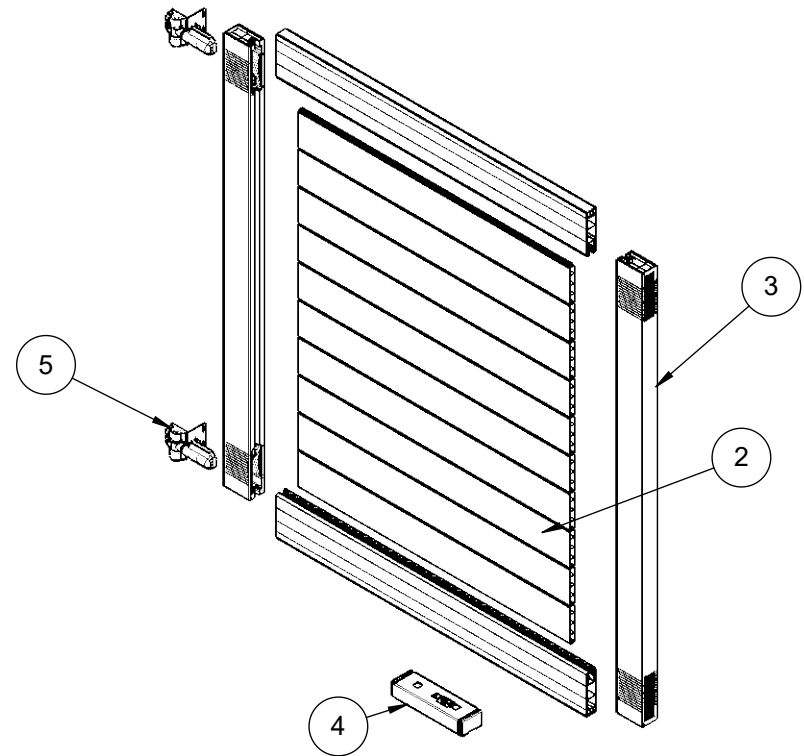
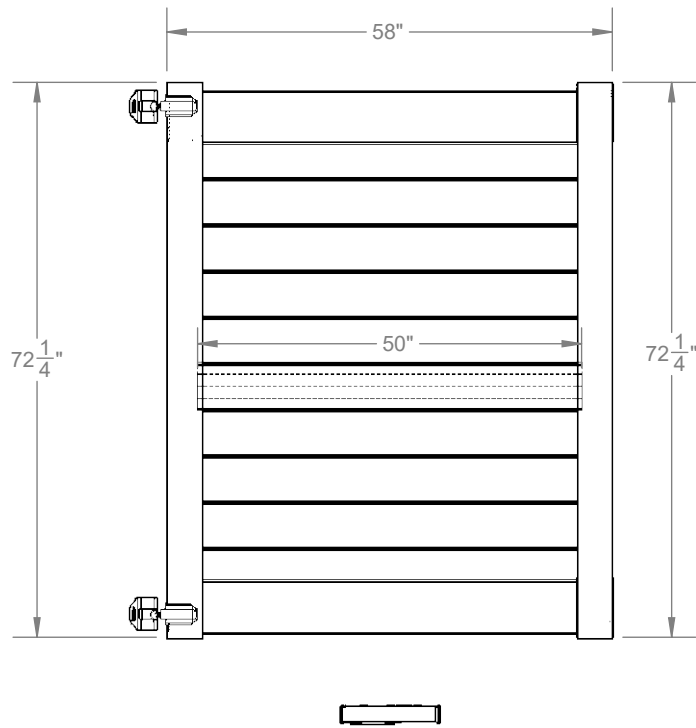
ITEM NO.	DESCRIPTION	QTY
△ 2	1.75X7X94 DECO W/ BARB EXTR	2
2	.875X6X90.75 W/.035W EXTR T&G WHITE	10
3	1.00X1.875X56.25 STR PST CHN EXT WHITE	2
4	#10 X 3/4" PAN HEAD SCREW (10 PC)	1
5	GENERIC INSTR CARD VF/VG - PRO/SO 2020	1



THE INFORMATION CONTAINED IN THIS DRAWING IS PROTECTED BY COPYRIGHT AND PATENT LAWS OF THE UNITED STATES AND OTHER COUNTRIES. ANY REPRODUCTION IN PART OR AS A WHOLE WITHOUT WRITTEN PERMISSION IS PROHIBITED.

1

ITEM NO.	DESCRIPTION	
1	1.75X7X57.125 DECO W/ BARB EXTR	2
2	.875X6X50 W/.035W EXTR T&G	10
3	2.75x4.70x72.25 RTE 1.75x7x2 WH W/UPI	2
4	HORIZ GATE HARDWARE BOX-WHITE	1
5	HEAVY DUTY HINGE PAIR BLACK	1

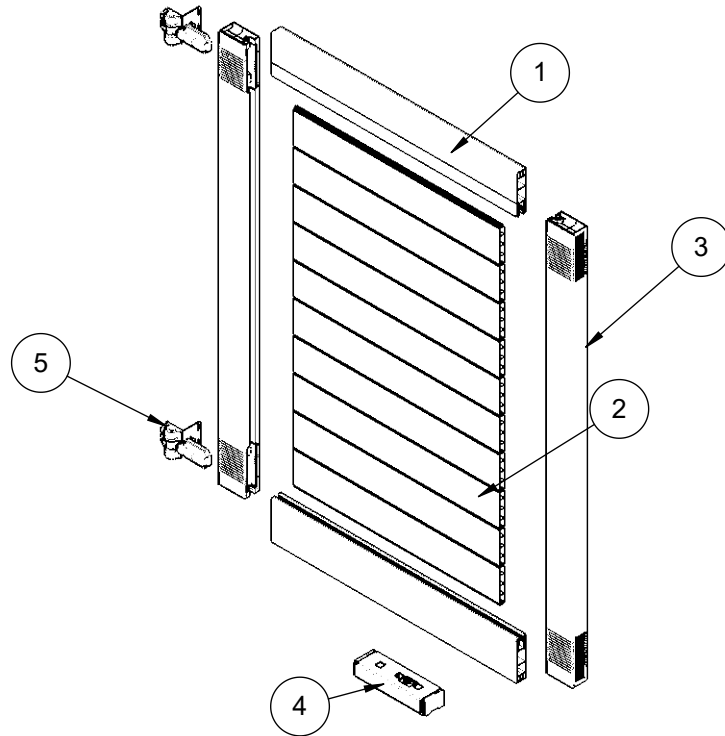
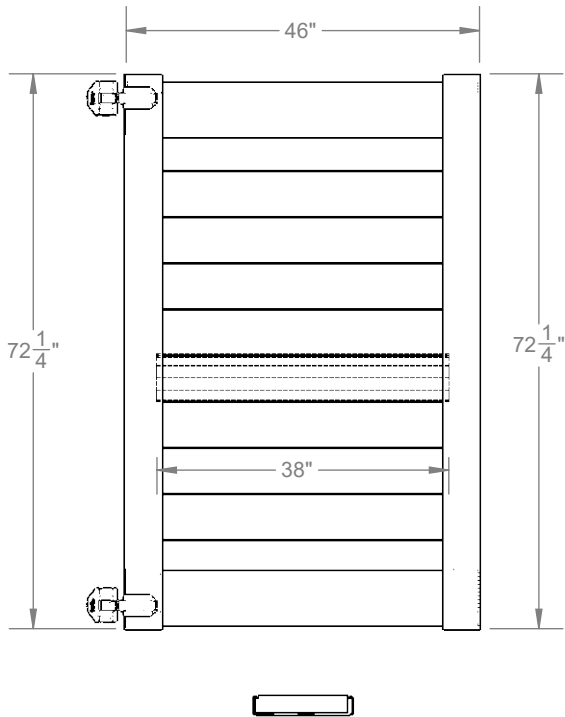


THE INFORMATION CONTAINED IN THIS DRAWING IS PROTECTED BY COPYRIGHT AND PATENT LAWS OF THE UNITED STATES AND OTHER COUNTRIES. ANY REPRODUCTION IN PART OR AS A WHOLE WITHOUT WRITTEN PERMISSION IS PROHIBITED.

6X58 1.75x7 HORIZ PRIVACY GATE WH

1

ITEM NO.	DESCRIPTION	
1	1.75X7X45.125 DECO W/ BARB EXTR	2
2	.875X6X38 W/.035W EXTR T&G	10
3	2.75x4.70x72.25 RTE 1.75x7x2 WH W/UPI	2
4	HORIZ GATE HARDWARE BOX-WHITE	1
5	HEAVY DUTY HINGE PAIR BLACK	1



THE INFORMATION CONTAINED IN THIS DRAWING IS PROTECTED BY COPYRIGHT AND PATENT LAWS OF THE UNITED STATES AND OTHER COUNTRIES. ANY REPRODUCTION IN PART OR AS A WHOLE WITHOUT WRITTEN PERMISSION IS PROHIBITED.

DESCRIPTION

5X5X108 LINE POST WH (AD)

5X5X108 LINE POST SD (AD)

5X5X108 LINE POST CYP EWG (AD)

5X5X108 LINE POST GR (AD)

5X5X108 LINE POST GR EWG (AD)

