



PERGOLA KIT

Installation Instructions

English.....	1
Français.....	7
Español.....	13



Read all instructions prior to installing product.
Refer to manufacturers safety instructions when operating any tools.

To register your product, please visit: barretteoutdoorliving.com

⚠ WARNING:

- Improper installation of this product can result in personal injury. Always wear safety goggles when assembling the product.
- Incorrect installation may cause harm to the product or individual.
- Check local building codes to determine pool-safe product options.

NOTICE:

- DO NOT attempt to assemble the kit if parts are missing or damaged.
- DO NOT return the product to the store, for assistance or replacement parts call: 1-877-265-2220

BEFORE YOU BEGIN:

Check your local zoning laws.

- Local zoning laws and Home Owners Associations may regulate the location, style and height of your product or even require a permit signoff beforehand.

NOTE:

- Installation is best accomplished with 2-3 people. Do not attempt to install alone.
- Pergola must be installed on a solid surface using 3/8" fasteners in base plates.

TOOLS/MATERIALS NEEDED:

Level
Pencil
Tape Measure
Rubber Mallet
Ladder

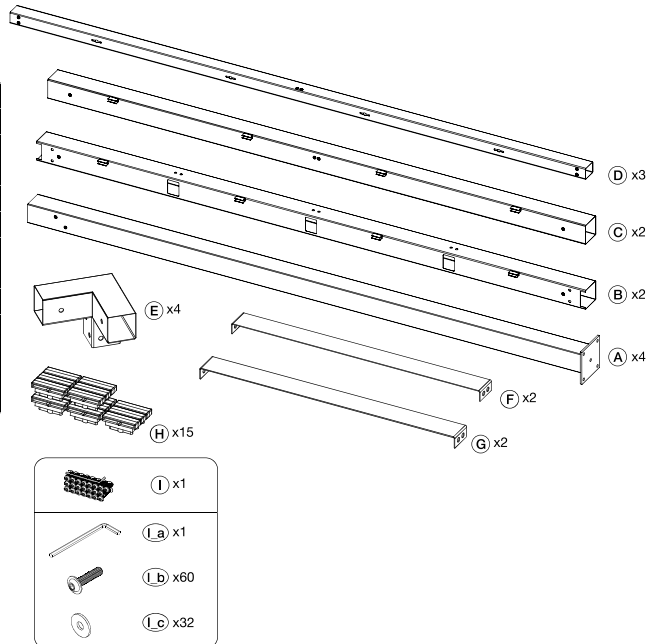
SOLD SEPARATELY:

(8) Decorative Screen Panels (For roof)
(16) 3/8" Bolts/Screws (For surface mounting)
(16) 3/8" Washers (4 per plate)

Pergola Kit Components:

QTY.	Description
4	3.5" posts – "A"
2	3.5" outer rails – "B"
2	3.5" outer rails – "C"
3	2" x 2.5" middle beams – "D"
4	Corner brackets – "E"
2	Center braces – "F"
2	Center braces – "G"
1	15-pack Cam Locks – "H"
1	Hardware pack – "I" • (1) Allen Wrench "I_a" • (60) Hex Screws "I_b" • (32) Washers "I_c"

NOTE:
Washers are only needed for corner bracket assembly. 8 per corner bracket.



To obtain and review a copy of the warranty please visit barretteoutdoorliving.com.
 You may also contact us at 1-877-265-2220 or email CS.outdoorliving@barretteoutdoorliving.com.

1. Determine where you would like to install the pergola. Make sure the posts will be held in place by a solid structure and if necessary, reinforce the surface it is attaching to.

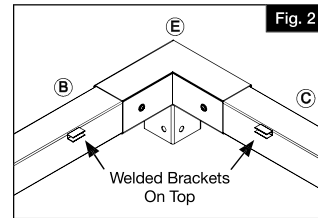
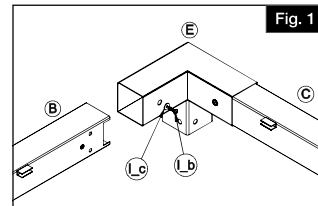
2. Begin building frame by attaching corner brackets (E) to frame members (B) and (C) as shown. Corner brace assembly requires screws & washers as shown (Fig. 1). (B) rails and (C) rails should face opposite each other. Leave one (B) rail to the side.

NOTE:

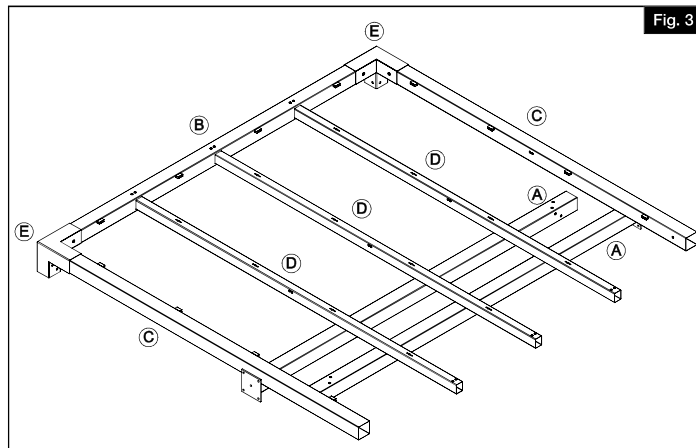
Take care that welded brackets are located at the top of the beam (Fig. 2).

TIP:

Use posts underneath mid-rails to level assembly for easier installation.

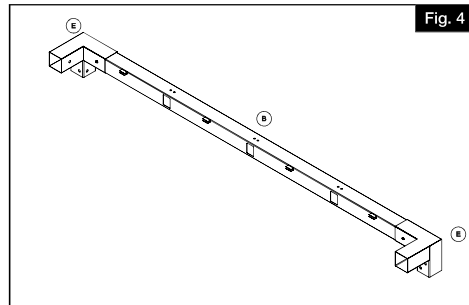


3. Using supplied screws from hardware pack (I), attach mid-beams (D) to frame member (B) through rivets (Fig. 3). Two screws per mid-beam (do not overtighten at this point).



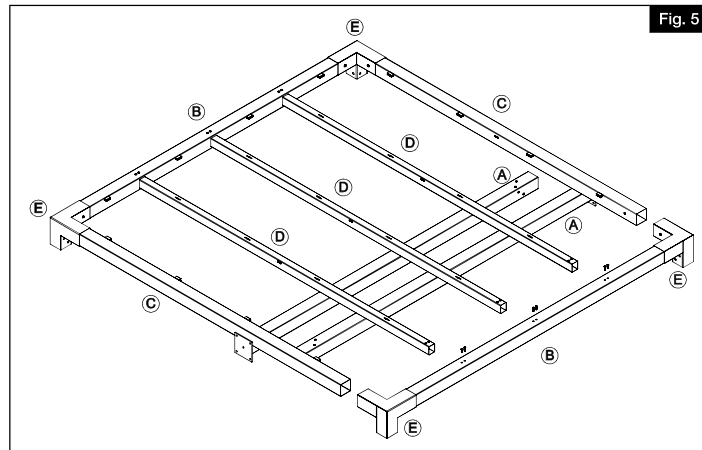
4.

Attach remaining corner brackets (E) to the remaining outer rail (B) (Fig. 4).



5.

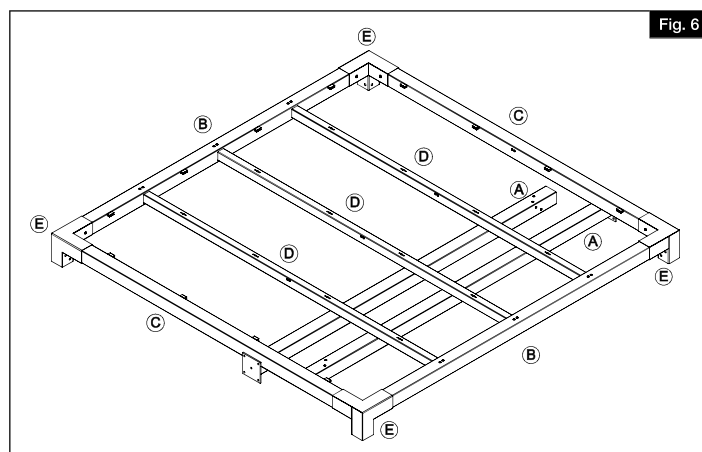
Attach the assembly from the previous step to the larger assembly (Fig. 5).



6.

Attach corner brackets using I_b and I_c.

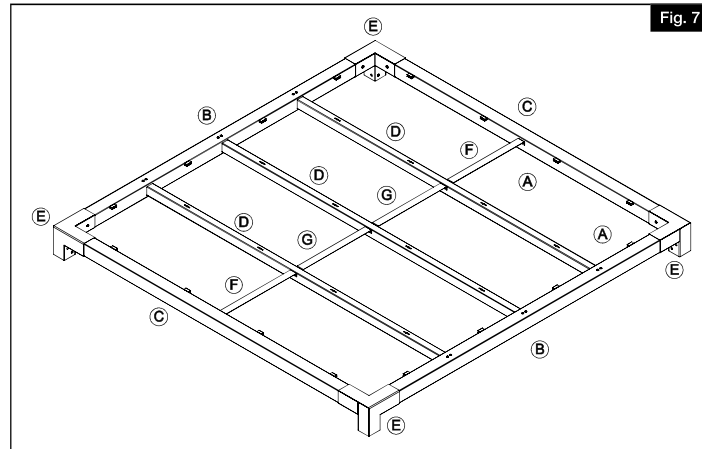
Attach mid beams using I_b and tighten all mid beam screws (12 total). (Fig 6)



- 7.** Attach center braces (F) & (G) as shown through rivets (Fig. 7). Four screws per center brace. This completes the top/roof assembly.

NOTE:

(F) braces install on outer portion of assembly, (G) braces install on inner portion of assembly.



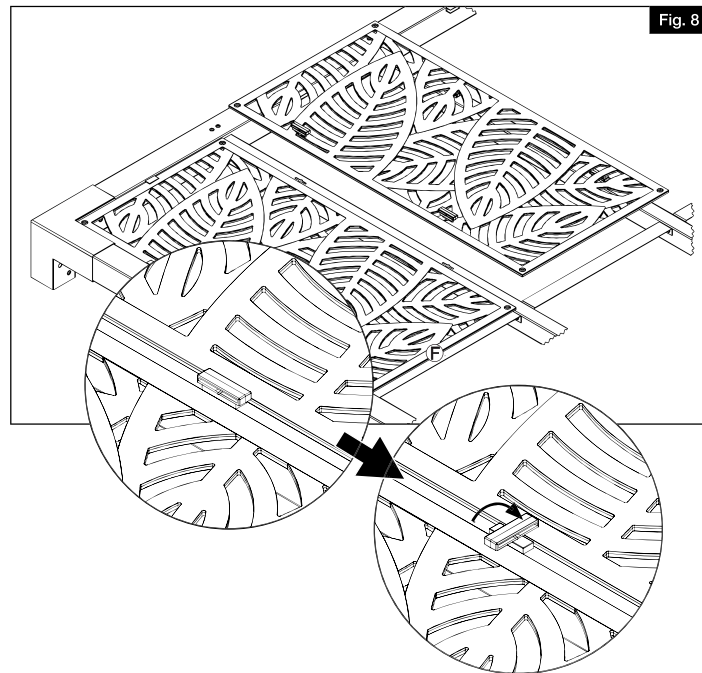
8.

Begin inserting decorative screen panels. Panels will insert into pre-welded brackets on perimeter of outer rails.

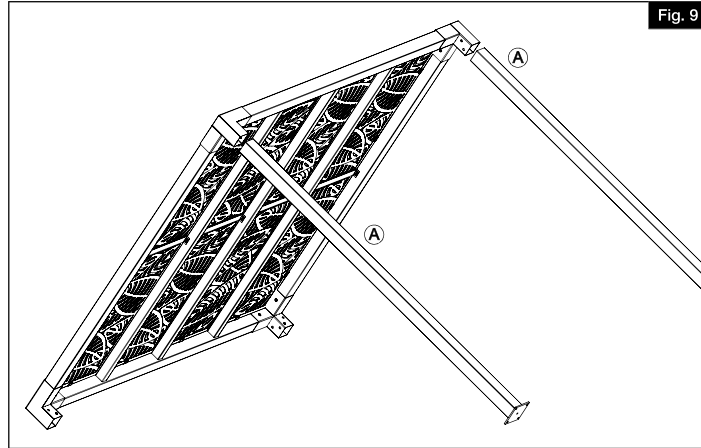
Lock decorative screen panels into place using provided Cam Locks (H). Insert Cam Lock and twist 90 degrees to secure panels (Fig. 8).

NOTE:

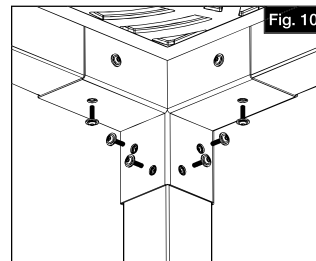
Panels should be removed and stored elsewhere during winter months to avoid snow build-up and damage.



- 9.** Using 2-3 people, tilt the top frame assembly on an angle to insert posts (A) into corner brackets (E) (Fig. 9). Take care that holes are lined up on post & corner bracket assembly.



- 10.** After all 4 posts are inserted, use a step ladder to insert final bolts with washers into corner brackets (Fig. 10).



- 11.** Install bottom plates to desired surface using 3/8" bolts/screws & washers to complete assembly (Fig. 11).

