



## PERGOLA SIDE WALL KIT

### Installation Instructions

English.....	1
Français.....	7
Español.....	13



Read all instructions prior to installing product.  
Refer to manufacturers safety instructions when operating any tools.

To register your product, please visit: [barretteoutdoorliving.com](http://barretteoutdoorliving.com)

**⚠ WARNING:**

- Improper installation of this product can result in personal injury. Always wear safety goggles when assembling the product.
- Incorrect installation may cause harm to the product or individual.

**NOTICE:**

- DO NOT attempt to assemble the kit if parts are missing or damaged.
- DO NOT return the product to the store, for assistance or replacement parts call: 1-877-265-2220

**BEFORE YOU BEGIN:**

Check your local zoning laws.

- Local zoning laws and Home Owners Associations may regulate the location, style and height of your product or even require a permit signoff beforehand.

**NOTE:**

- Side wall is to be installed on corresponding Pergola assembly (sold separately)
- Side wall can only be installed on opposing shorter sides of Pergola assembly

**TOOLS/MATERIALS NEEDED:**

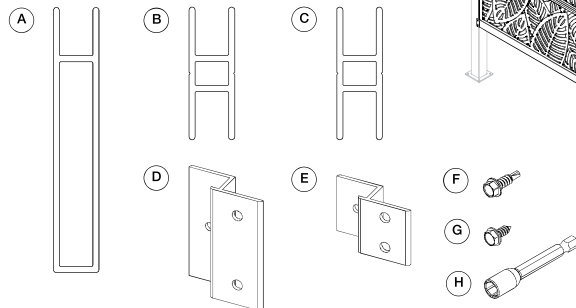
Drill
Level
Pencil
Tape Measure
Rubber Mallet

**SOLD SEPARATELY:**

(4) Decorative screen panels (for infill)
8x8 Pergola

**Pergola Kit Components:**

QTY.	Description
2	U-Channels – "A"
1	H-Channel for mid-rail – "B"
2	Vertical H-Channels (short) – "C"
4	Large Side Wall Brackets – "D"
2	Small Side Wall Brackets – "E"
12	Large post attachment screws – "F"
6	Small Bracket attachment screws – "G"
1	Hex Head driver bit – "H"



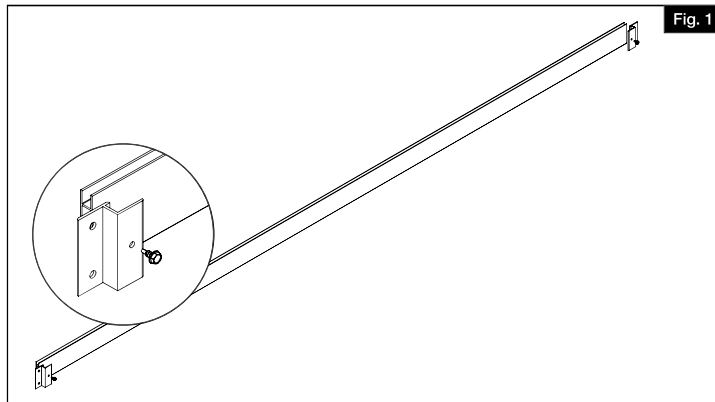
To obtain and review a copy of the warranty please visit [barretteoutdoorliving.com](http://barretteoutdoorliving.com). You may also contact us at 1-877-265-2220 or email [CS.outdoorliving@barretteoutdoorliving.com](mailto:CS.outdoorliving@barretteoutdoorliving.com).

- 1.** Determine desired height of assembly on post.

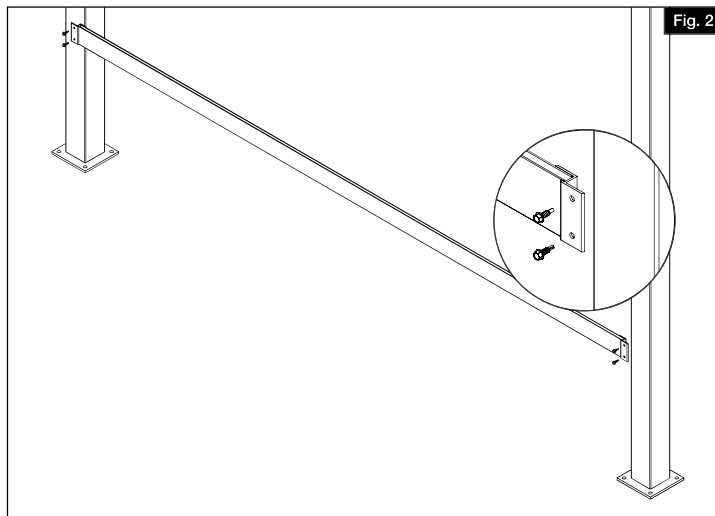
**NOTE:**

The side wall can only be installed on shorter side(s) of the pergola.

- 2.** Attach large side brackets to either side of U-channel for bottom rail using small attachment screws (one per side). Opening of rail should be facing up (Fig. 1).



- 3.** Install bottom U-channel to both post faces using the large attachment screws (two per side) (Fig. 2).



**4.**

Insert (2) Decorative screen panels into bottom rail. Insert one vertical H-channel in-between panels (Figs. 3 & 4).

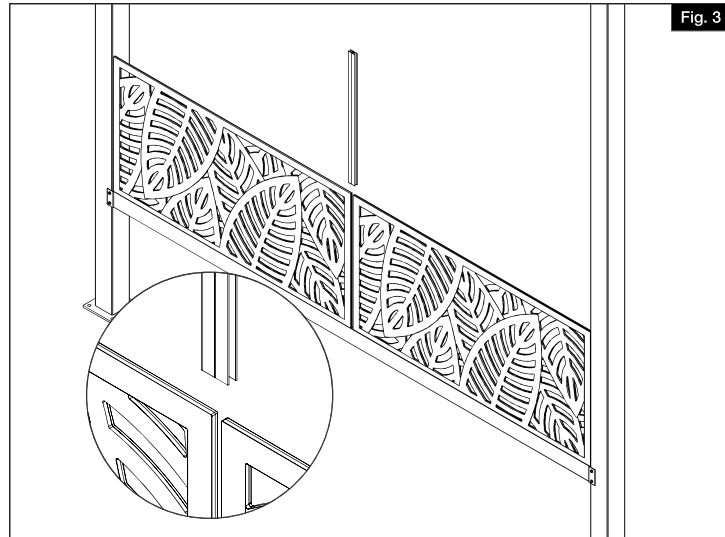


Fig. 3

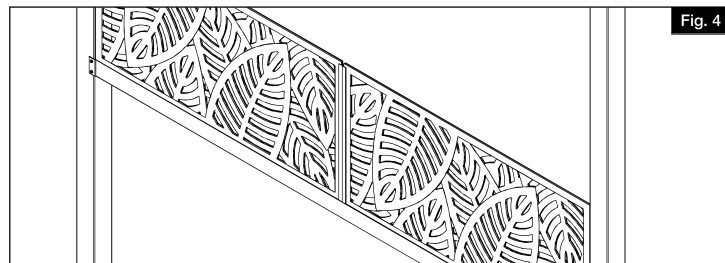
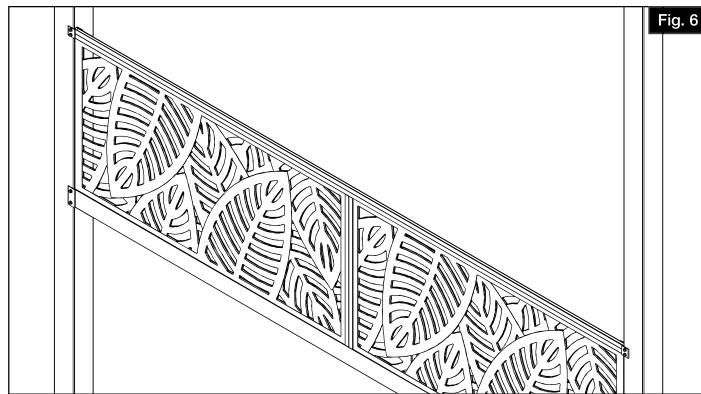
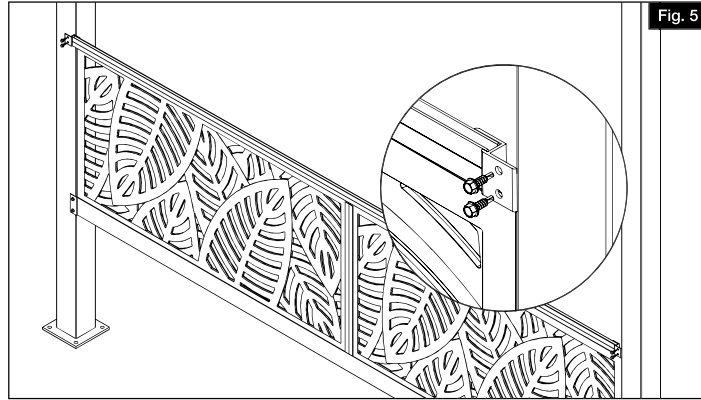


Fig. 4

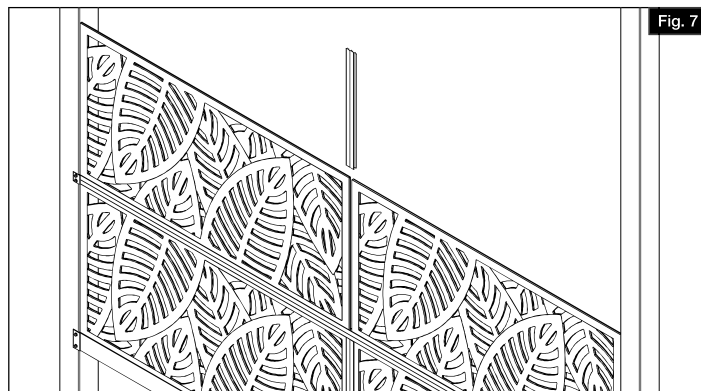
**5.**

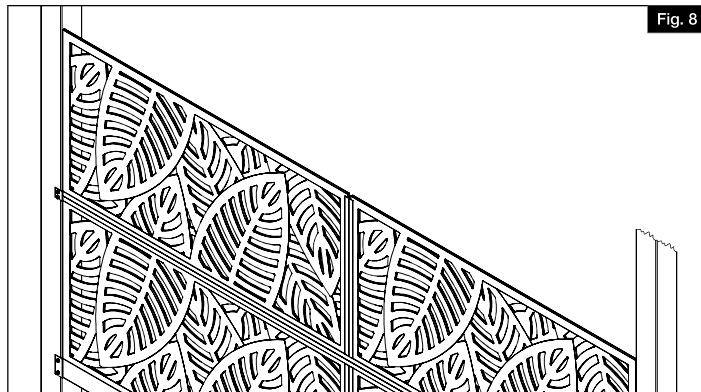
Repeat step 2 for mid-rail by attaching small side brackets to either side of H-channel for mid-rail using small attachment screws (one per side).

- 6.** Install H-channel over decorative screen panels & attach to face of post using the large attachment screws (Figs. 5 & 6)



- 7.** Repeat step 4 for additional two panels & vertical rail (Fig. 7 & 8)





**8.** Attach large side brackets to either side of U-channel for top rail using small attachment screws (one per side). Opening of rail should be facing down.

**9.** Install top u-channel to both post faces using the large attachment screws (two per side) (Figs. 9 & 10).

