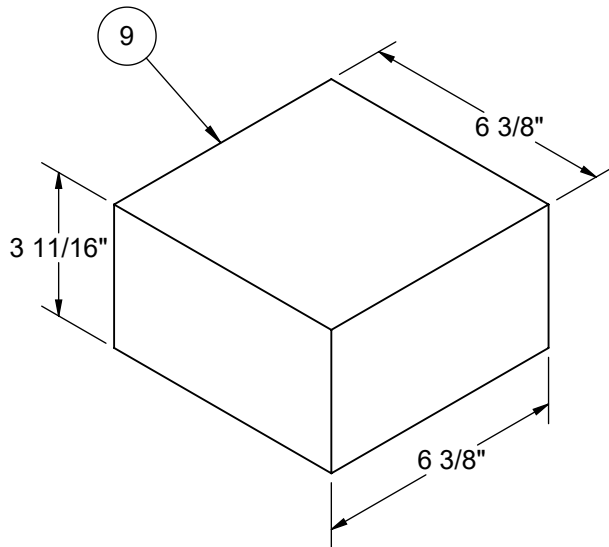
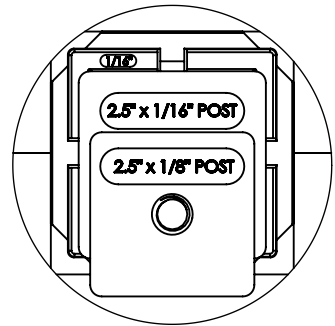


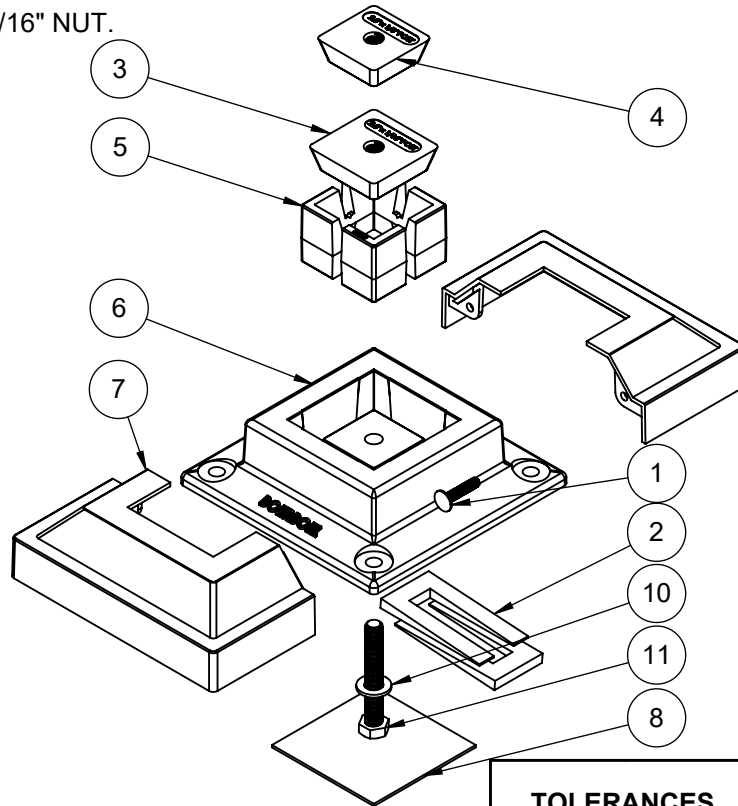
NOTES:

1. ASSEMBLE AS SHOWN.
2. BOLT IS FINGER TIGHTENED ONLY.
3. 34111219 VINYL PLUGS ARE BAGGED AND PLACED INSIDE COVER HALVES.
4. 34114122 SHIMS ARE BAGGED.
5. BOX ALL COMPONENTS, LABEL PRINTED ON BOX.

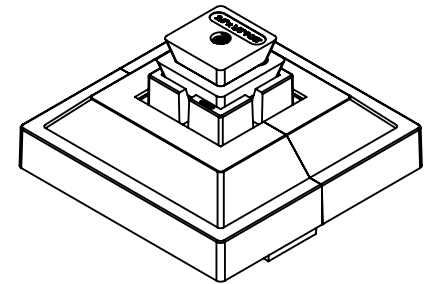
DURING FACTORY ASSEMBLY, PLEASE ORIENT THE COLLET WITH 1/16" SIDE FACING UP, FOLLOWED BY THE 1/16" CAP NUT. THE 1/8" CAP NUT WILL BE THREADED ON TOP OF THE 1/16" NUT.



ITEM NO.	PART NUMBER	DESCRIPTION	QTY
1	34111219	POST TRIM ATTACHMENT PLUG 1IN-EPN-2606	2
2	34114122	SLOTTED SHIM VINYL 3"	2
3	EPN-2513	CAP NUT .0625 x 2.5" POST	1
4	EPN-2514	CAP NUT .125 x 2.5" POST	1
5	EPN-2515	COLLET UNIVERSAL 2.5" POST	1
6	EPN-2516	BASE 2.5" ALUM POST MOUNT	1
7	EPN-2517	2.5" BASE TRIM ALUM (HALF)	2
8	EPN-51293	SURFACE MOUNT INSTALL INSTR	1
9	EPN-51294	SURFACE MOUNT BOX	1
10	EPN-6270	WASHER 18-8 SS .41 X .73 X .07	1
11	EPN-6271	3/8-16x2.5 HEX 18-8 SS FULL THREAD	1




COLOR	PART NUMBER
BLACK	73045685
MATTE BLACK	73045686
PEWTER	73045687
WHITE	73045688
FLORIDA BRONZE	73045689
MATTE BRONZE	73045690
LIGHT BRONZE	73045692
GRAY	73045691



REV	BY	DATE	PCR	DESCRIPTION
3	CH	2/25/2020	N/A	34111219 WAS 34114188. REMOVED LABEL, NOW PRINTED ON BOX.
2	CH	2/21/2020	N/A	ADDED (2) 34114122 SHIMS.
1	CH	2/3/2020	N/A	CHANGED NOTES, PLUGS SHOULD BE BAGGED AND 1/8 NUT SHOULD BE ON TOP OF 1/16 NUT, THREADED ON BOLT.
0	PBS	10/7/2019	N/A	RELEASED FOR PRODUCTION

TOLERANCES	
FRACTION	±1/16
XX	±0.01
XXX	±0.005
ANGLE	±1.0°
FINISH	125 RMS
UNLESS OTHERWISE SPECIFIED	



BARRETTE
Outdoor Living

DRAWN: W DIXON DATE: 10/05/2018 APPROVED: SM

DESCRIPTION: **2.5 SURFACE MOUNT & COVER G2**

SHEET 1 OF 1

SCALE 1:2

WEIGHT: 3.84

REVISION

3

PART NUMBER

73045685

THE INFORMATION CONTAINED IN THIS DRAWING IS PROTECTED BY COPYRIGHT AND PATENT LAWS OF THE UNITED STATES AND OTHER COUNTRIES. ANY REPRODUCTION IN PART OR AS A WHOLE WITHOUT WRITTEN PERMISSION IS PROHIBITED.